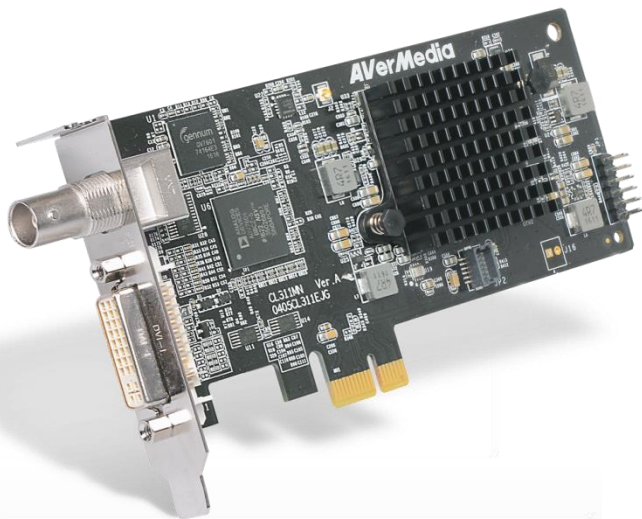


## CL311-MN

PCIe Low Profile Full HD 60fps Multi-interface Capture Card



### Features

- PCI Express low profile form factor
- SDI/ HDMI/ DVI/ VGA video input interface
- Embedded SDI/ HDMI
- Max capturing/recording 1920 x 1080 60fps

### Introduction

The CL311-MN is a low profile PCI Express frame grabber card that supports 60fps full HD video capture. The CL311-MN can ingest and capture SDI/HDMI/DVI/VGA sources up to full HD resolutions for monitoring, archiving or analyzing, offering more flexibility and possibilities.

CL311-MN is best suited for industrial and commercial applications such as data recorder, medical imaging, machine vision and other industrial imaging applications. Committed to shorten the development duration, CL311-MN provides integrators with a complete and rugged solution towards building their own applications.

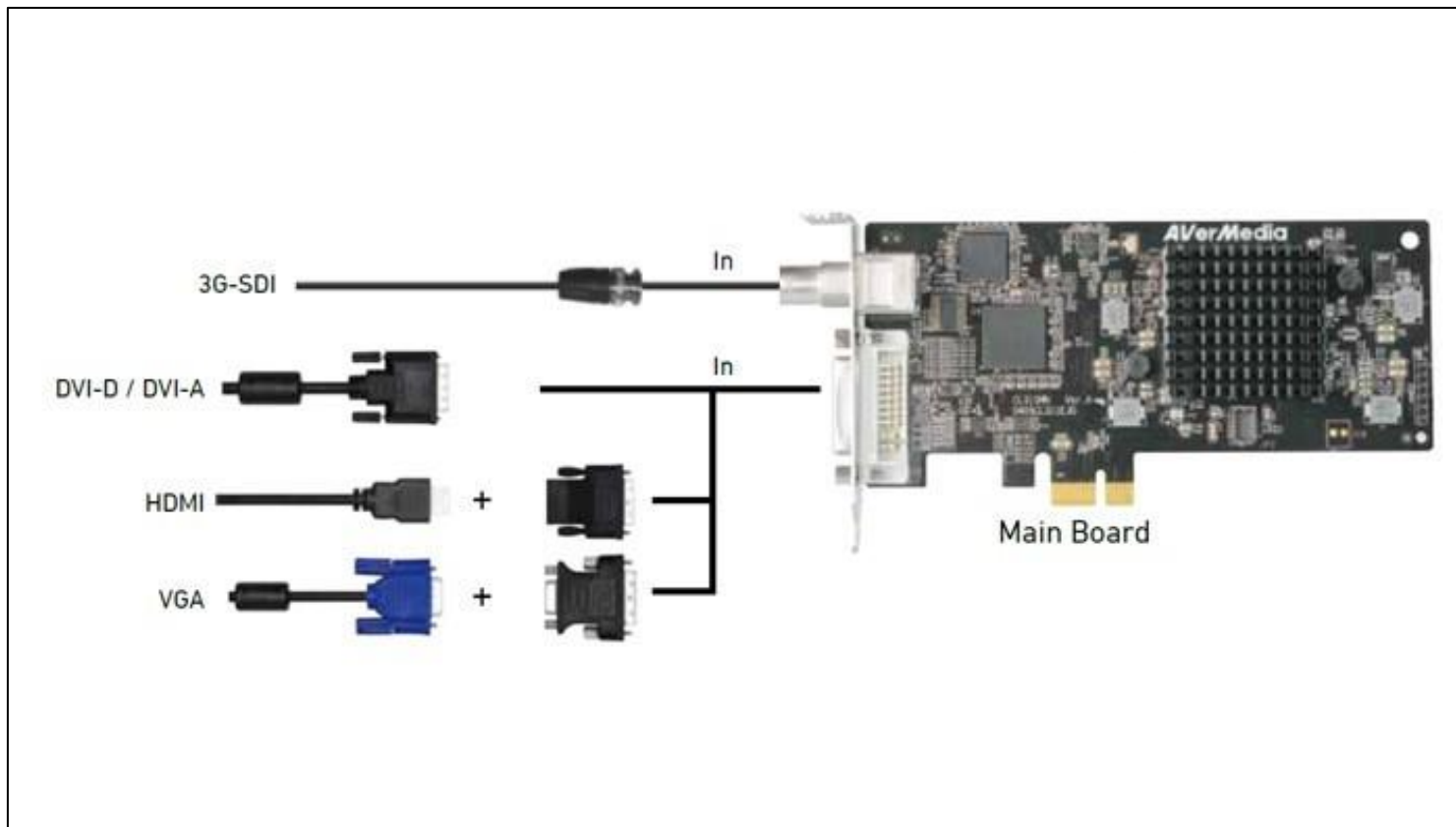
### Low Profile Form Factor

Suitable for small-footprint embedded platform, the compact low profile form factor design provides a better use of internal space and reduces cable routing. It increases the use of interior space for a more flexible heat spreading solution.

### Versatile SDK

AVerMedia software development kit (SDK) is a set of free development tools that allows software engineers to seamlessly integrate video capture modules into application specific systems. SDK Pro and SDK Premium are available upon request, they offer professional grade functionalities to better match each application's specific requirements.

## Connection Diagram



## Specification

Host Interface	PCIe Gen2 x 1
Audio Interface	SDI/ HDMI
Audio Format	Embedded SDI/HDMI;PCM
Audio Sampling Rate	HDMI: 32KHz/44.1KHz/48KHz, 16bit
Connector Type	BNC for SDI
Video Input Interface	SDI/ HDMI/ DVI/ VGA
Video Format	YUV444: IYU2, AYUV, V410, Y410 YUV422: YUY2, YUYV, UYVY, V210, Y210 YUV420: I420, NV12, YV12 RGB: RGB565, RGB555, RGB24, RGB32, ARGB
Color Depth	8-bit/ 10-bit
Channel No.	1 Ch
Max. Input Resolution	1920 x 1080 60fps
Max. Recording Resolution	1920 x 1080 60fps

Encoding Mode	Software Encoding
Multi-Card Support	Yes
Supported OS	Windows 7/ 8.1/ 10 (32/64 bits), Linux (32/ 64 bits) *
Form factor	PCIe Low Profile
Dimension (L x W)	138 x 64.3 mm
Power Consumption	5W
Operating Temperature	0°C ~ 50°C
Operating Humidity	5% ~ 80% Relative Humidity
Safety Certification	FCC/ CE

All specifications are subject to change without notice.

### \* Linux Services

- For availability on driver versions, please contact us
- Driver customization service by request

## Ordering Information

- CL311-MN Main Board: PCIe Low Profile Full HD 60fps multi-interface Capture Card
- Accessories
  - DVI to HDMI connector
  - DVI to VGA connector
- SDK Kits
  - SDK Basic
  - SDK Pro
  - SDK Premium Add-on Kits