

Specification

Features:	Connects to Windows XP machines USB 2.0 port
	TCP Video MJPEG stream 1280 x 720 /YUV 10fps/ MJPEG 30fps/ H.264 24fps 640 x 480 /30 fps 320 x 200 /30 fps
	Driver free (USB Video Class) for any OS (windows XP, windows 7, windows 8, windows 10, any version, MAC OS)
Model	MD-N41XX
Number of effective pixels	1280 x 720 /YUV 10fps/ MJPEG 30fps/H.264 24fps 640 x 480 /30 fps; 640 x 360 /30 fps 320 x 240 /30 fps; 320 x 180 /30 fps
pixel size	3 umx3 um
Image sensor	1/4" WXGA HD 720P Camera
Image area	3888 um x 2430 um
S/N Ratio	39 dB
Scan mode	progressive
Sensitivity	3300mV/(Lux)
Dark Current	20 mV/Sec
Storage temperature	-30 to 60 Degree C
Working temperature	-10 to 45 Degree C
Audio Output	20-16000Hz, S/N more than 58dB
Built-in Lens	4.0mm /F2.0(H= 51° 50'; V= 33° 48'; D= 59° 35')
Power source	DC 5V
Power current	150 mA
Dimension(mm)	40.7 x 10.3mm
Audio	Built-in microphone



With special clip,
camera stays tight even
when running and jumping.



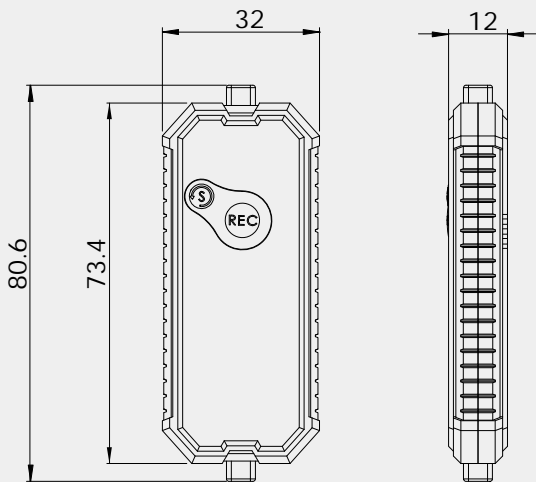
Slim Size is perfect for wearable and hidden!



Order Information

MODEL	OUTPUT
MD-N41XX	USB 2.0 A type
MM-N41XX	Micro USB OTG B type
MT-N41XX	USB Type-C
MX-N4131S S: straight cable(150cm) 	
MX-N4131Q Q: coil cable(110cm-stretch 150cm) 	

Order information



MP-WF580K / MP-WF580KP

Feature

- Support micro SD 128GB
- P2P or IP network connection
- Support H.264 & MJPG video format input
- WIFI Mini DVR
- FTP receiver (file)
- Live streaming preview(http)
- Loop receiver
- Support UVC camera video input
- Support RTC

Portable Size
&
Super Slim



External Memory - Max Support 128GB



UVC camera input
(3 types Connector-optional)



USB A



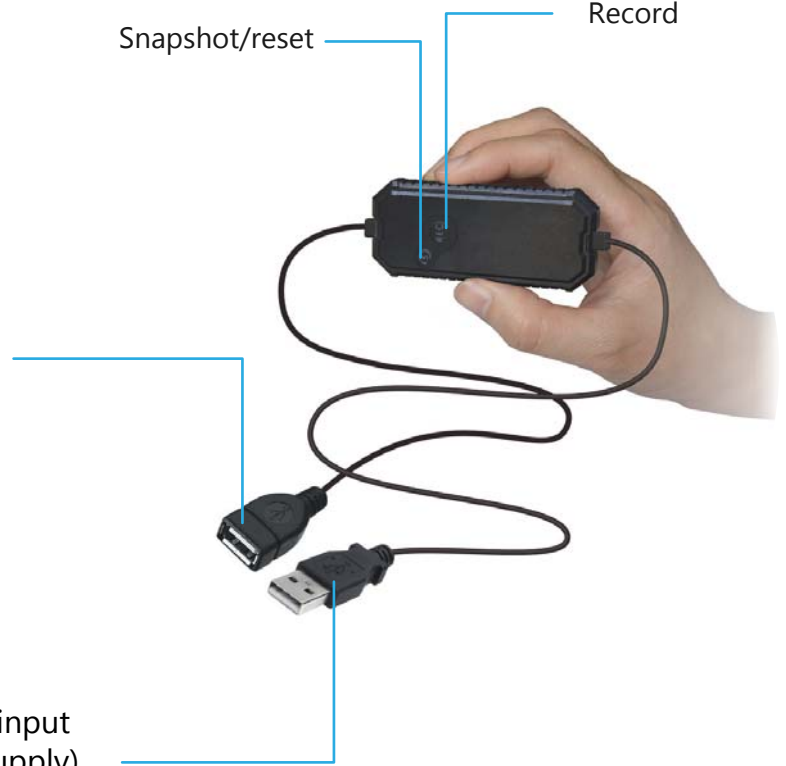
Micro USB



Type C

Snapshot/reset

Record



power input
(power bank/power supply)
-USB 2.0 (female)
-Micro USB (female)
(order in advance)



APP
Preview



FTP



Http
Preview



Wi-Fi



IP/ P2P



UVC
Camera



Loop
Record



H.264
MJPG
video
Format



128GB
Micro SD



RTC
Function

