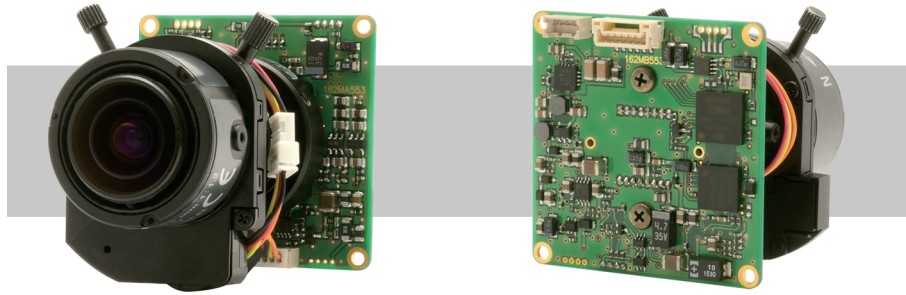


W-04CDB3 1/3" Multi-function Board Camera with Varifocal Lens

High functionality and high sensitivity for demanding scene conditions

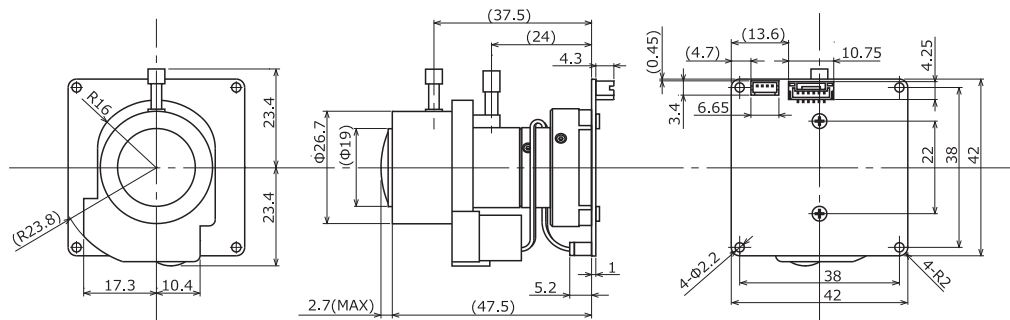


*NO CE & FCC

Key features

- 1/3-inch CCD sensor with high sensitivity 0.005 lx F1.2 and resolution 650TVL
- Advanced setting available by OSD (On-Screen Display) through an optional remote control
- 2DNR, privacy masking, BLC (Back Light Compensation)
- Mirror image, white blemish correction, contour correction
- Built-in vari-focal lens (f=2.8 - 10.5mm)

Dimensions

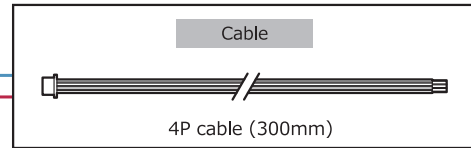
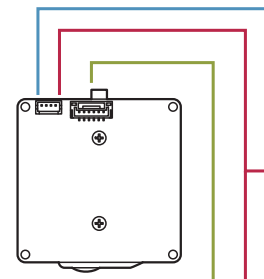
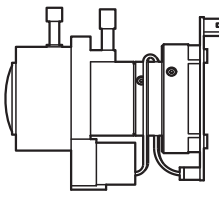
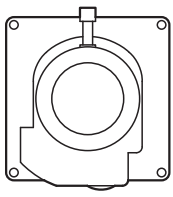


Specifications

Video standard		NTSC	PAL
Pick-up element		1/3 inch interline transfer CCD image sensor	
Number of effective pixels		976(H) × 494(V)	976(H) × 582(V)
Unit cell size		5.4μm(H) × 7.4μm(V)	5.0μm(H) × 6.25μm(V)
Imaging system		Ye, Cy, Mg, and G complementary color mosaic filters on chip	
Synchronizing system		Internal	
Scanning system		2:1 Interface	
Video output		Composite: 1.0 V(p-p) 75Ω (Unbalanced)	
Resolution (H)		More than 650TVL (Center)	
Minimum illumination		0.005 lx F1.2 (AGC ON=45dB, Shutter=OFF)	
S/N		More than 52dB (AGC OFF=-3dB, γ=0.45)	
Function settings		OSD : Remote controller	
AE mode	Fixed	1/60, 1/100 sec.	1/50, 1/120 sec.
	EI	1/250, 1/500, 1/1000, 1/2000, 1/4000, 1/10000 sec.	
White balance		ATW, AWB, ACR, PWB, MWB, PRESET (5100K, 6300K)	
AGC	ON	-3 - 45dB	
	OFF	-3dB	
MGC		0 - 42dB (6dB step)	
Day/Night		Digital Auto, Manual	
Gamma characteristics		γ=0.45	
Video level		Adjustable	
Noise reduction		2DNR OFF/ON Level adjustable	
Wide dynamic range		D-WDR OFF/ON Level adjustable	
Lens iris		Video / DC	
Back light compensation		BLC, HSBLIC	
White blemish correction		Up to 64 pixels	
Sharpness		Level adjustable	
Defog		OFF/ON Level adjustable	
Digital zoom		-	
Privacy mask		8 masks	
Mirror image		OFF, H-FLIP	
Freeze		-	
Motion detection		-	
Neg.image		-	
Interface		4P connector (Composite Video, Power in), 4P connector (DC iris), Remote control (RC-01)	
Power supply		DC+12V±10%	
Power consumption		1.02W (85mA)	
Operating temperature		-10 - +50°C	
Storage temperature		-30 - +70°C	
Operating / Storage humidity		95% RH or less (Without condensation)	
Lens mount		Φ14mm	
Standard lens		f=2.8mm - 10.5mm F1.2 (2.8) Varifocal lens	
Weight		Approx. 54g	
Accessories		4P cable, Hex. Wrench	

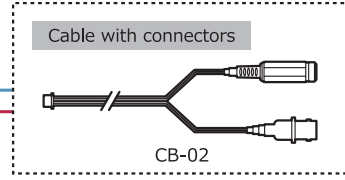
Accessories Options

W-04CDB3

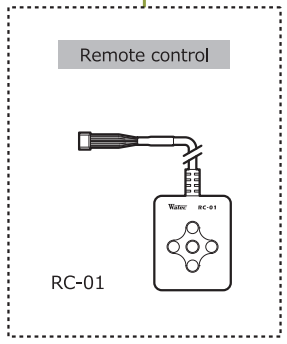
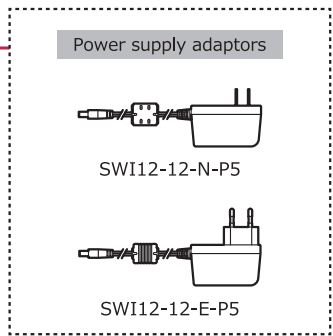


VIDEO OUT

POWER IN (DC12V)

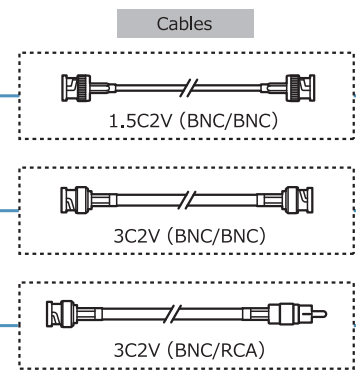


POWER IN (DC12V)



OSD

VIDEO OUT (BNC)



VIDEO OUT (BNC)

VIDEO OUT (RCA)



※Not in our lineup