

# MC-S185U

4K, 8MP Ultra High Resolution 18x Zoom Module

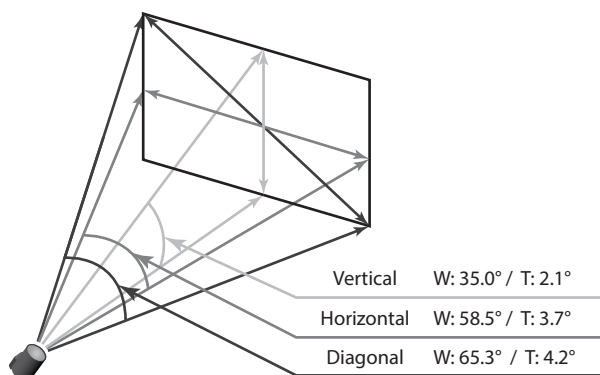
HDMI CVBS



## Features

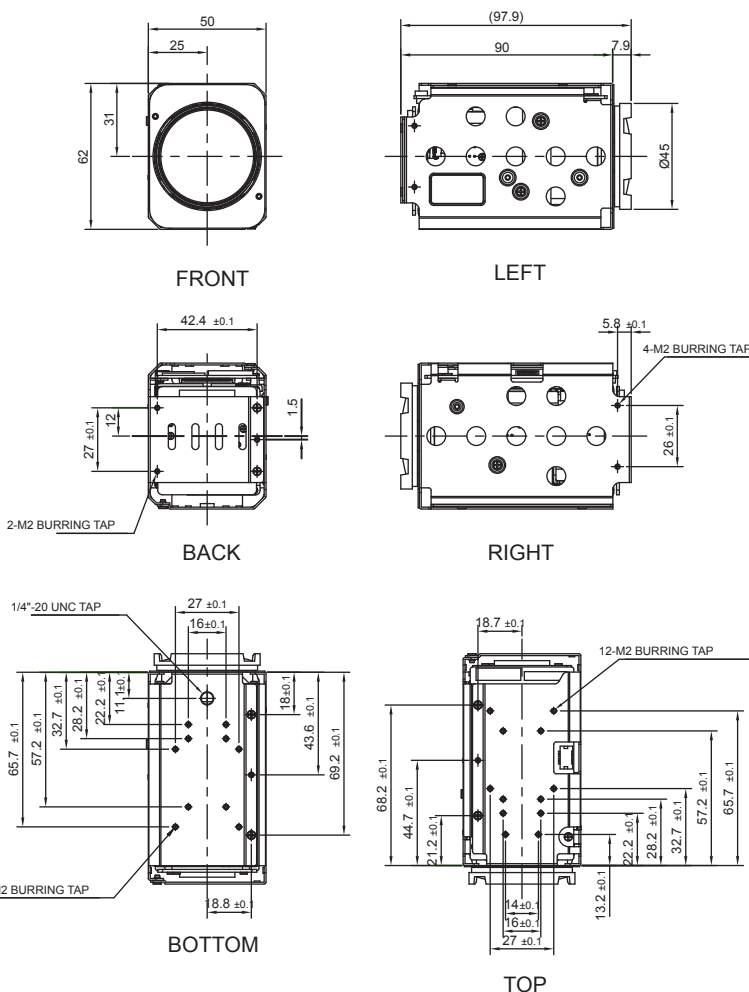
- 1/1.8" 9MP Sony CMOS Sensor
- 2160P 30fps, 1440p 30fps, 1080p 30fps, 720p 30fps
- 18x Optical Zoom(6.8mm~120mm) & 32x Digital Zoom
- F1.61(wide) ~ F4.13(tele)
- Day & Night(ICR)
- Wide Dynamic Range
- Digital Noise Reduction(2D+3D)
- Digital Image Stabilization
- Privacy Mask Function
- High Light Compensation
- Intelligent Motion Detection
- Defog Function
- Supports VISCA, Pelco-D/P Protocol
- Video Out : HDMI, CVBS

## Field of View



## Dimensions

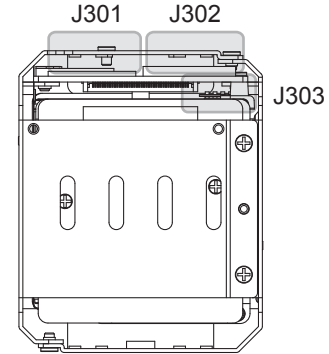
Unit : mm



# Specifications

MC-S185U				
Image Sensor	1/1.8" Sony CMOS Sensor			
Total Pixels	3,952(H) x 2,320(V) = 9.17M Pixels			
Active Pixels	3,864(H) x 2,176(V) = 8.41M Pixels			
Scanning System	Progressive Scan			
Sync. System	Internal			
Resolution	Digital : 2160p/30(25)fps, 1440p/30(25)fps,			
	1080p/30(25)fps, 720p/30(25)fps			
	Analog : CVBS			
Min. Illumination	Color(1/30s, 72dB) : 0.012lux , BW(1/30s, 72dB) : 0.0019lux			
	Color DSS(1/1s, 72dB) : 0.0012lux , BW DSS(1/1s, 72dB) : 0.00019lux			
Video Output	Digital : HDMI			
	Analog SD : CVBS			
S/N Ratio	more than 50dB (AGC off)			
Lens Type	18x Day & Night Zoom Lens			
Zoom Ratio	Optical 18x, Digital 32x Zoom			
Focal Length	f = 6.8mm ~ 120.0mm			
Aperture Ratio	F1.61 (wide) ~ F4.13 (tele)			
Angle Of View(D, H, V)	Wide	65.3°	58.5°	35.0°
	Tele	4.2°	3.7°	2.1°
AF Mode	Auto / One Push / Manual			
Min. Distance	0.5 / 1.5 / 3.0 / 5.0 / 10.0 m			
Lens Refresh	One Push / 1 ~ 10Days			
Digital Zoom	Off / MAX 2x ~ 32x			
Exposure	AUTO / IRIS.P / SHUT.P / MANUAL			
Gain Control(AGC)	0 ~ 10 steps			
Shutter Speed	1/1 ~ 1/60,000 sec			
Iris	Close ~ F1.6			
Digital Slow Shutter(DSS)	Off / 2x / 4x / 8x / 16x / 32x			
Brightness	0 ~ 14 steps			
BACK LIGHT	Off / BLC / HLC			
Day&Night	Auto / Day / Night / Ext-in			
White Balance	Auto / One Push / Manual / Indoor / Outdoor / Auto-Ext			
DNR	2D/3D, 2D+3D			
Mirror	Off / H / V / H&V			
Sharpness	0 ~ 15 steps			
Defog	Off / Manual / Auto			
Privacy Mask	Off / On (8 points)			
Motion Detection	Off / On (4 points)			
Defect Detection	Off / On			
System	NTSC / PAL			
Communication	Baud Rate : 2400 / 4800 / 9600 / 19200 / 38400 / 57600 / 115200 bps			
	Protocol : Pelco-P / Pelco-D / VISCA			
Power Source	9V to 15V DC			
Power Consumption	Max 530mA (@ 12VDC)			
Power Input	Connector			
Video Output	Connector			
Storage Temperature	-20℃ ~ +60℃ (Humidity : 0%RH ~ 90%RH)			
Operating Temperature	-10℃ ~ +50℃ (Humidity : 0%RH ~ 90%RH)			
Dimensions	50(W) X 62(H) x 97.9(D)			
Weight	293g			

# Pin Assignment



J301	
1	GND
2	TMDS Clock -
3	TMDS Clock +
4	GND
5	TMDS Data 0 -
6	TMDS Data 0 +
7	GND
8	TMDS Data 1 -
9	TMDS Data 1 +
10	GND
11	TMDS Data 2 -
12	TMDS Data 2 +
13	GND
14	NC
15	NC
16	NC
17	Hot Plug Detect
18	+5V Power
19	USB_VBUS
20	GND
21	USB_D-
22	USB_D+
23	GND
24	RxD
25	TxD
26	RESET
27	DC IN
28	DC IN
29	DC IN
30	DC IN

J302	
1	GND
2	TxD
3	RxD
4	NC
5	GND
6	NC
7	GND
8	ADKEY
9	NC
10	D/N-IN
11	NC
12	MD-OUT
13	485-DIR
14	NC
15	GND
16	+5V
17	GND
18	CVBS-OUT
19	GND
20	DC IN
21	DC IN
22	DC IN
23	DC IN
24	DC IN

Ref 05002HR-24J05 (YEONHO)

J303	
1	GND
2	CVBS-OUT

Ref 12505WR-02 (YEONHO)

Ref USL00-30L-C (KEL Cop.)

\* Design and specifications are subject to change without notice.