

MB-308

WONWOO

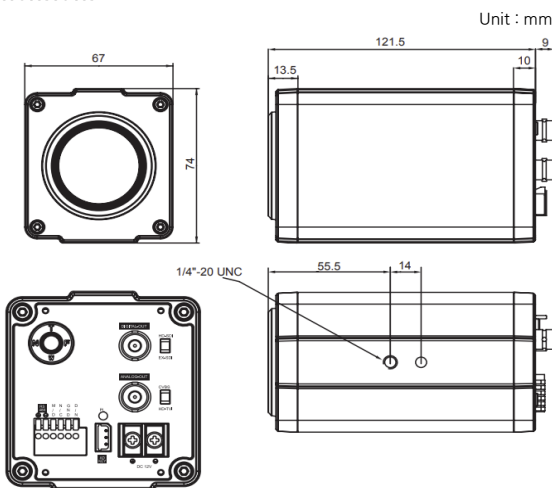
2MP 30x AF Box Camera



Features

- 1/3" Panasonic CMOS Sensor
- HD-SDI, EX-SDI, TVI, CVBS
- 30x Optical Zoom(4.3 mm ~ 129.0 mm) & x32 Digital Zoom
- Wide Dynamic Range
- Digital Noise Reduction
- Digital Slow Shutter
- Digital Image Stabilization
- Defog Function
- High Light Compensation
- ACE(Digital WDR)
- Privacy Mask Function
- Motion Detection

Dimensions



MB-308				
CAMERA				
Image Sensor	1/3" Panasonic CMOS Sensor			
Total Pixels	1981(H) x 1288(V) = 2.55M Pixels			
Active Pixels	1944(H) x 1212(V) = 2.35M Pixels			
Video Format	1080p@60/50fps, 1080p@30/25fps, 720p@60/50fps, 720p@30/25fps			
Min. Illumination	COLOR	0.05 lux / DSS 0.002 lux		
	BW	0.005 lux / DSS 0.0001 lux		
S/N Ratio	more than 50dB(AGC off)			
Video Output	HD-SDI, EX-SDI, TVI, CVBS			
LENS				
Lens Type	30x Day & Night Zoom Lens			
Zoom Ratio	Optical 30x, Digital x32 Zoom			
Focal Length	f = 4.3 mm ~ 129.0 mm			
Aperture Ratio	F1.6(Wide) ~ F4.7(Tele)			
Angle Of View (D, H, V)	WIDE	72.9°	65.1°	38.4°
	TELE	2.64°	2.34°	1.36°
CAMERA FUNCTIONS				
Camera Title	ID / Title / Zoom Ratio / System Message			
Day & Night	Auto / Day / Night / Ext-In			
WDR/BLC	Off / WDR / BLC / HLC			
ACE	Off / Low / Middle / High			
DNR	Auto / Off / Low / Middle / High			
Defog	Off / On(Auto / Manual)			
Image Stabilization	Off / On			
Motion Detection	Off / On(3 positions)			
Privacy Mask	Off / On(24 positions)			
Digital Slow Shutter	Off / x2 / x4 / x8(60fps or 50fps Mode Only)			
Gain Control	Off / On			
White Balance	Auto / One Push / Manual / Indoor / Outdoor			
Shutter Speed	1/30(25) ~ 1/30,000 sec			
E.Zoom	Off / x2 ~ x32			
Digital Flip	Off / H / V / H&V			
GENERAL				
Power Source	DC12V±10%			
Power Consumption	Max 500mA			
Operating Temperature	-10°C ~ +50°C / 0% ~ 90% RH			
Dimensions	67(W) x 74(H) x 130.5(D) mm			
Weight	0.57kg			