



TK970-NP/C/T TK970-NP/C

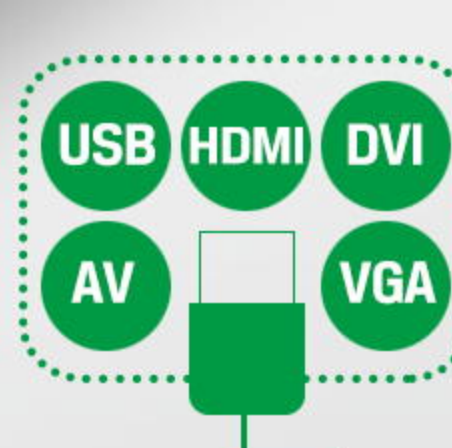
(without touch function)

9.7" INDUSTRIAL TOUCH MONITOR
LED OPEN FRAME DESIGN FOR OPTIONAL



Excellent Display

Attractive 4:3 aspect ratio 9.7 inch IPS panel, which features with 1024x768 resolution, 5-wire resistive touch, 174° wide viewing angles, 900:1 contrast and 350cd/m² brightness, providing satisfied viewing experience.



Rich Interfaces

Coming with HDMI, DVI, VGA & AV input signals to meet different needs of various professional display applications.



Metal Housing

Whole device with metal housing design, which make a good protection from damage, and good-looking appearance, also extend the lifetime of monitor.



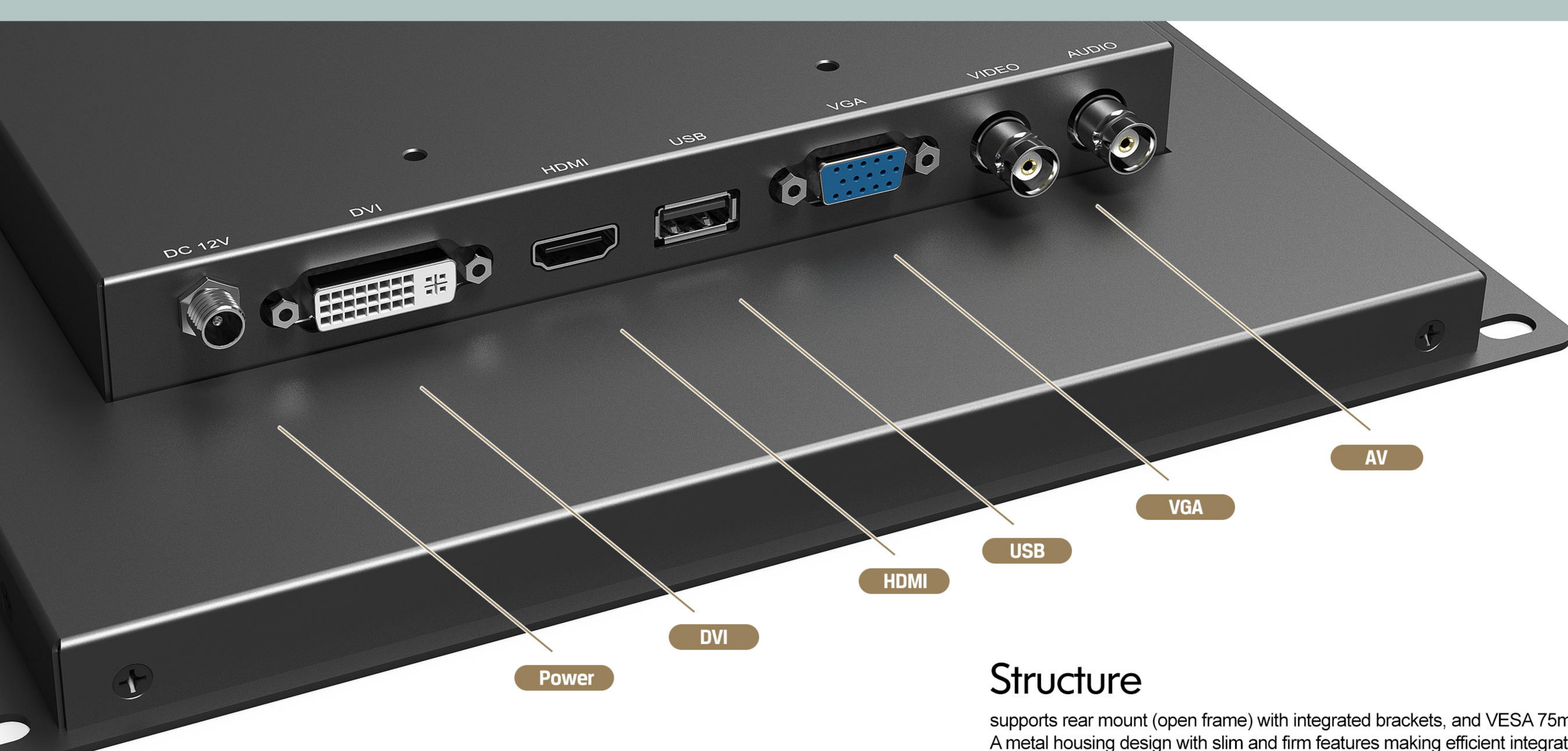
Open Frame

Having a variety of mounting usage in plenty of fields, such as rear(open frame), wall, 75mm VESA, desktop and roof mounts.



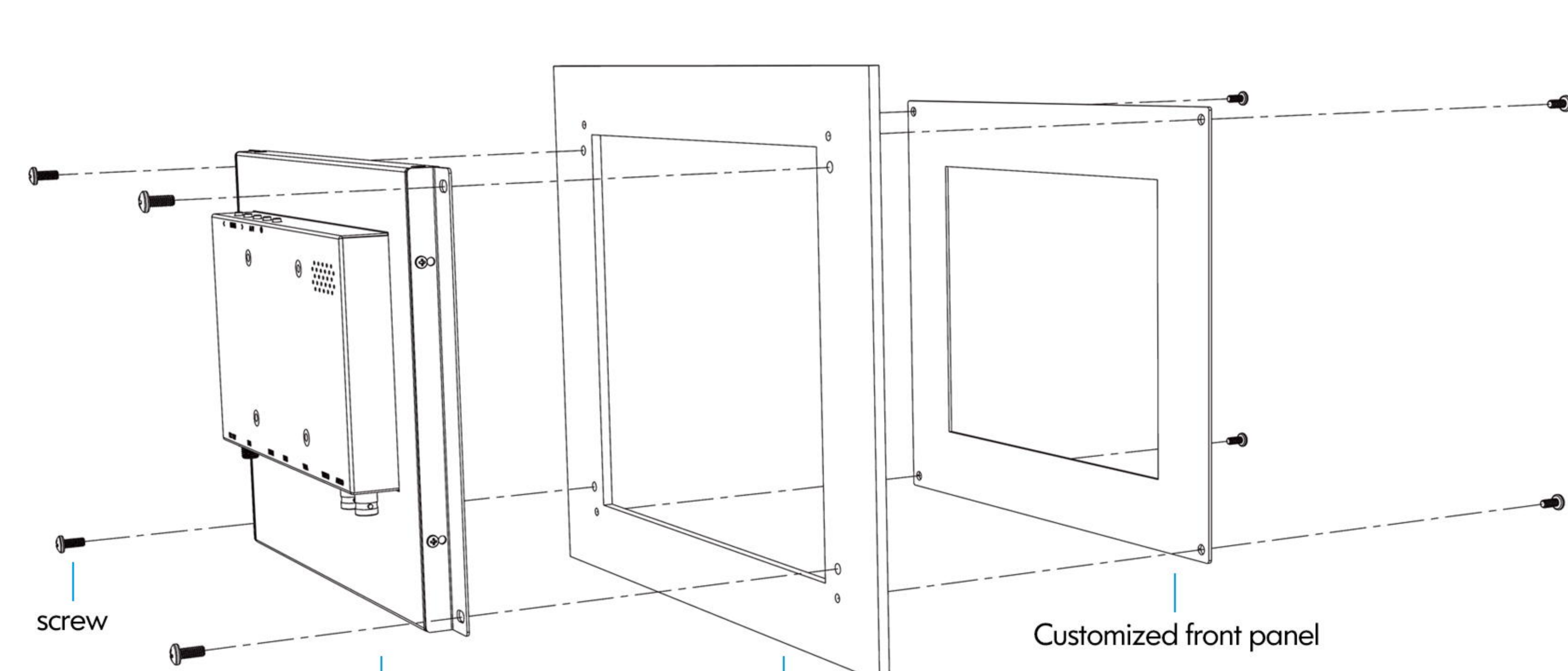
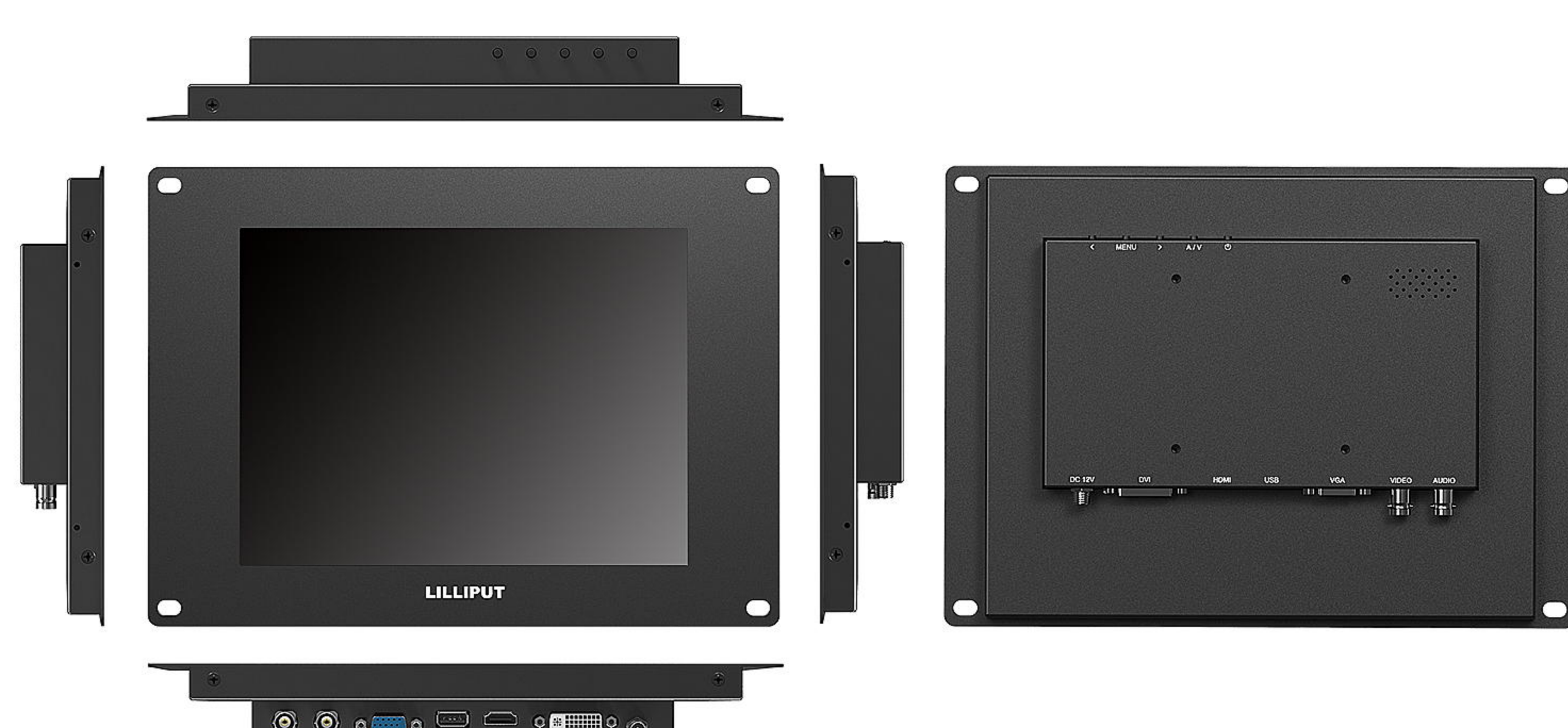
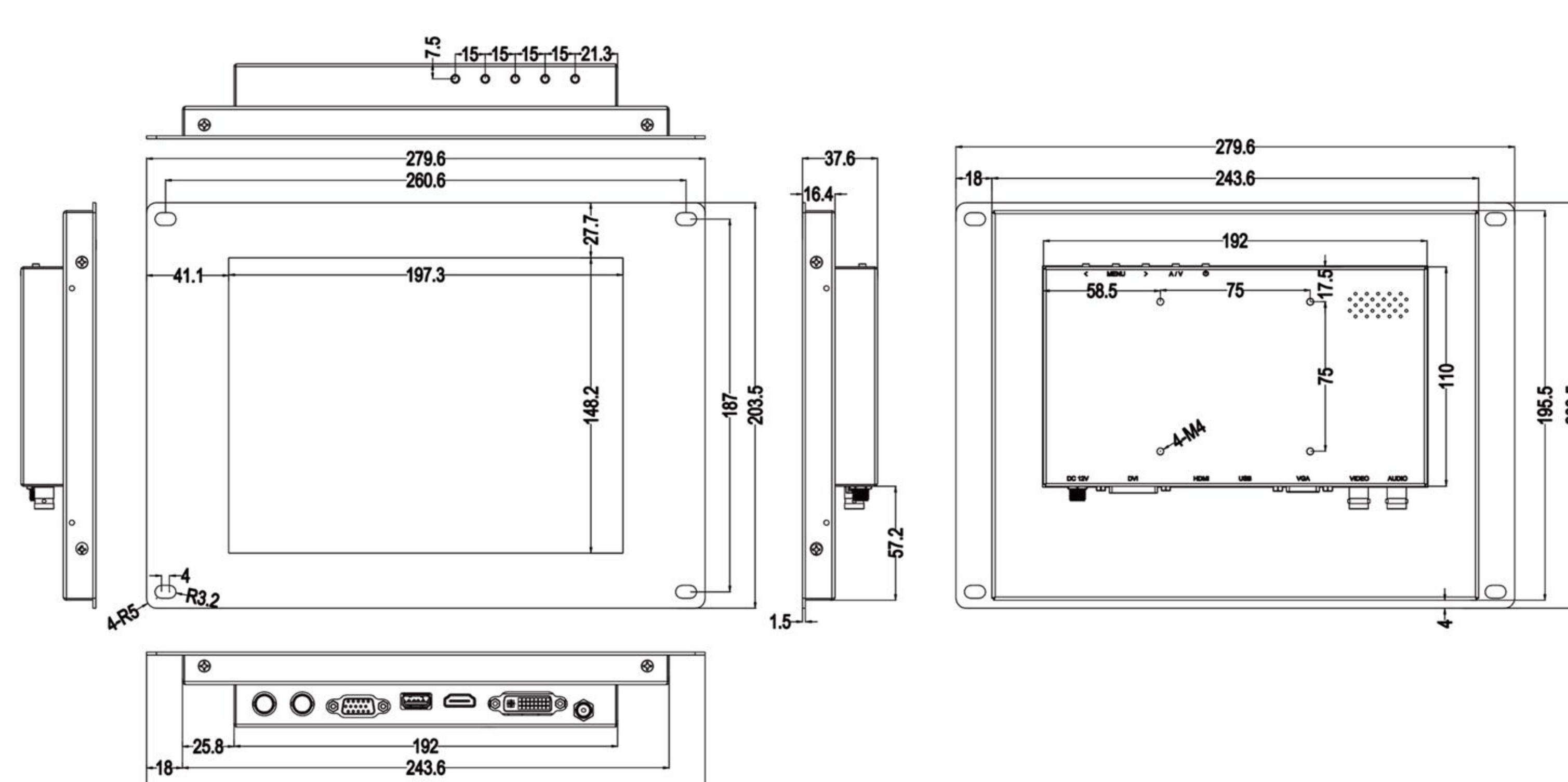
APPLICATION INDUSTRIES

Metal housing design which can be applied in different professional fields. For instance, Human-machine interface, entertainment, retail, supermarket, mall, advertising player, CCTV monitoring, numerical control machine and intelligent industrial control system, etc.

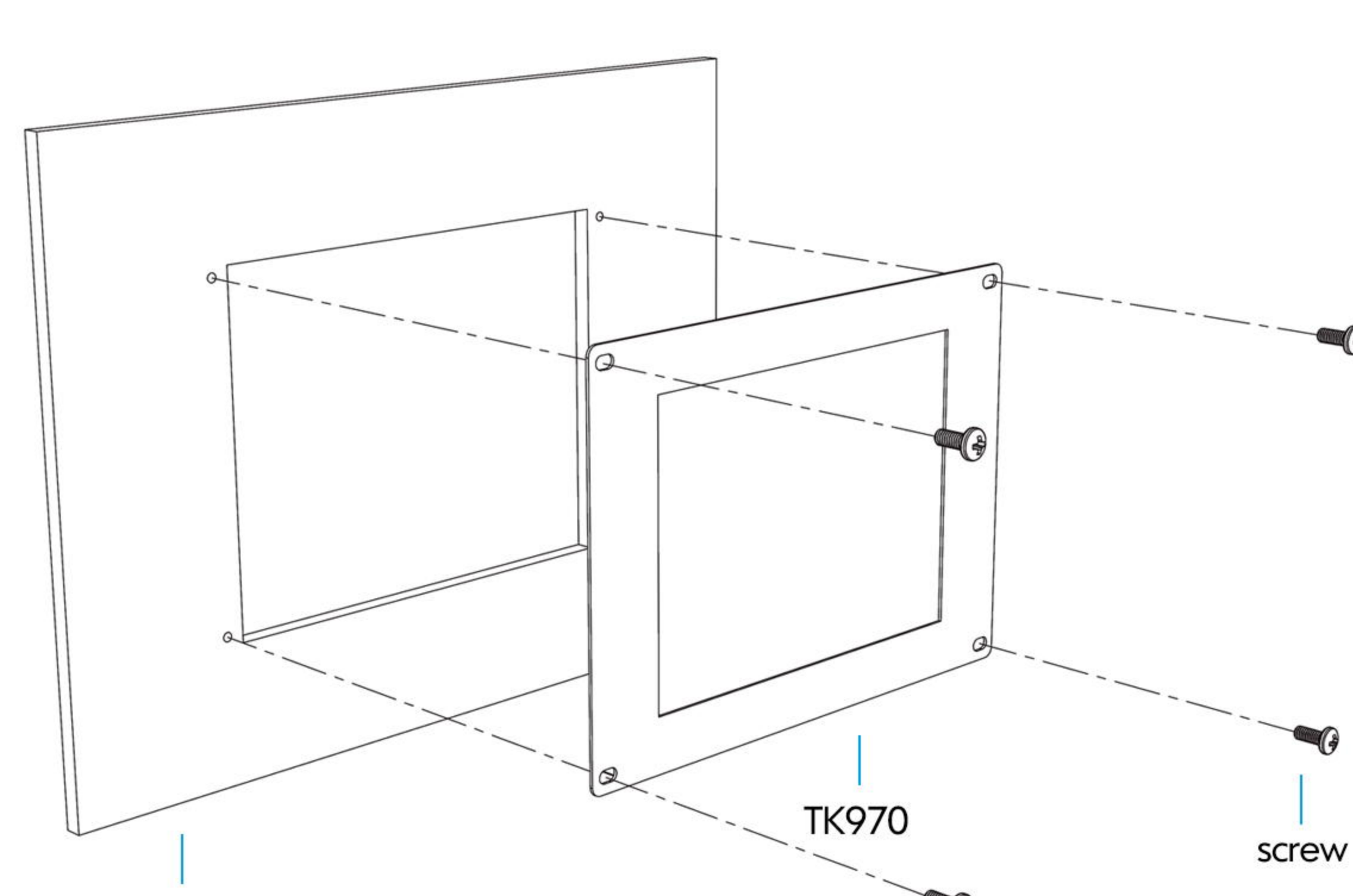


Structure

supports rear mount (open frame) with integrated brackets, and VESA 75mm standard, etc. A metal housing design with slim and firm features making efficient integration into embedded or other professional display applications.



A Rear Mount (open frame)



B Wall Mount

SPECIFICATIONS | ACCESSORIES

DISPLAY	Display Screen	9.7" IPS
	Resolution	1024×768
	Aspect Ratio	4:3
	Touch Panel	5-wire resistive touch (optional)
	Contrast Ratio	900:1
INPUT AUDIO	Brightness	350cd/m ²
	Viewing Angle	174°/174° (H/V)
	Input Signal	HDMI, VGA, DVI, AUDIO & VIDEO(BNC)
POWER	Speaker	1
	Input Voltage	DC 7-24V
	Battery	External (optional)
	Current	800mA
ENVIRONMENT	Power Consumption	≤10W
	Audio Output	≤1W
	Operating Temperature	-20°C~60°C
DIMENSION	Storage Temperature	-20°C~70°C
	Dimension(LWD)/mm	279.6×195.5×36.1(open frame) / 279.6×203.5×37.6
	Weight	1300g(open frame) / 1600g

ACCESSORIES

STANDARD

1. HDMI A/A cable 1 piece
2. VGA cable 1 piece
3. Audio BNC cable 1 piece
4. Video BNC cable 1 piece
5. 12V DC adapter 1 piece
6. Open frame bracket or metal mount panel 1 piece
7. Manual 1 copy
8. VESA folding bracket (optional) 1 piece

FOR TOUCH FUNCTION

1. USB cable (for touch function) 1 piece
2. Touch driver disk 1 piece
3. Touch pen 1 piece



STANDARD

FOR TOUCH FUNCTION

Note: Due to constant effort to improve products and product features, specifications may change without notice.

