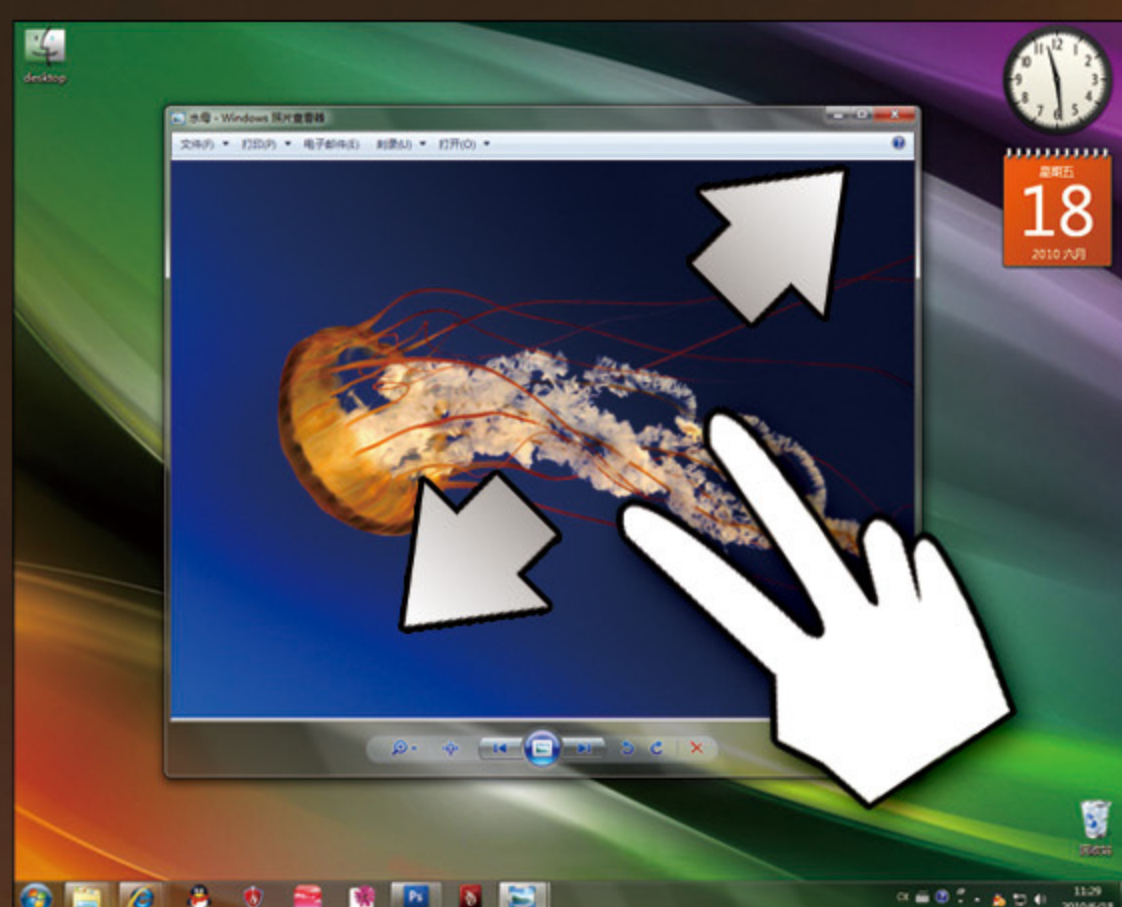


10.1" LED Monitor with Multi-touch Function

FA1012-NP/C/T

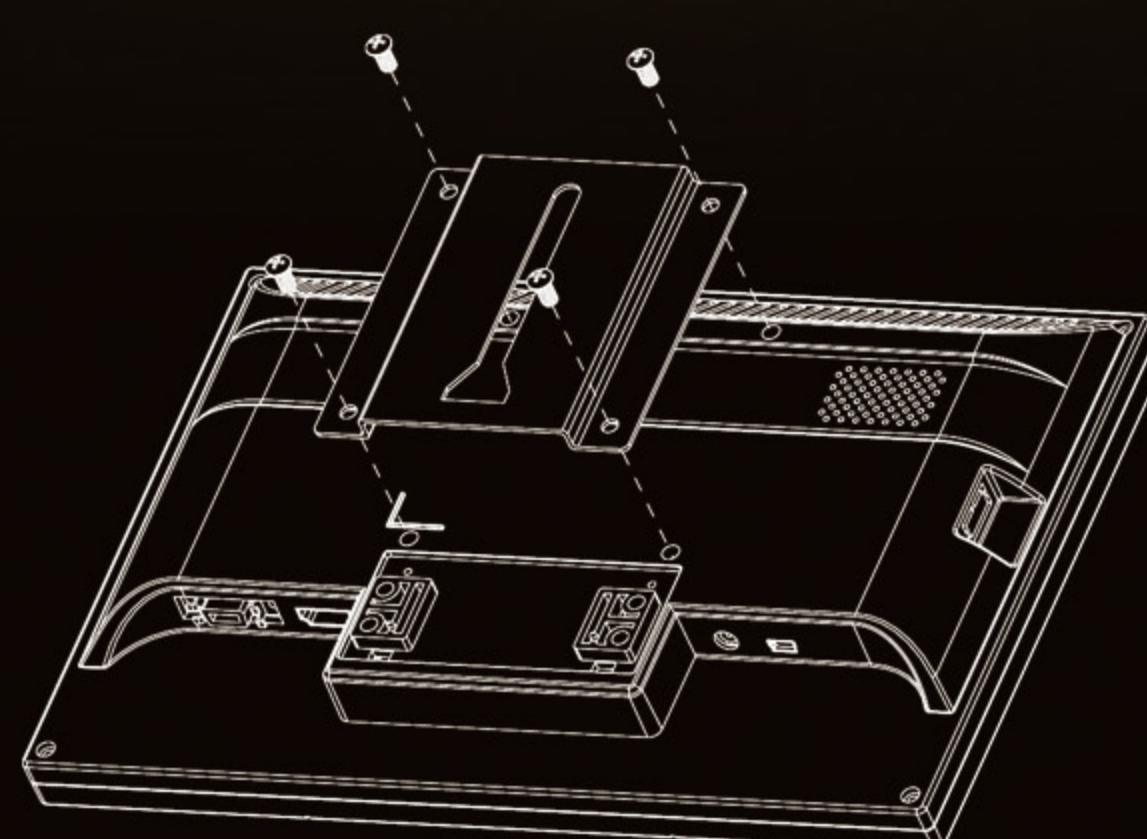
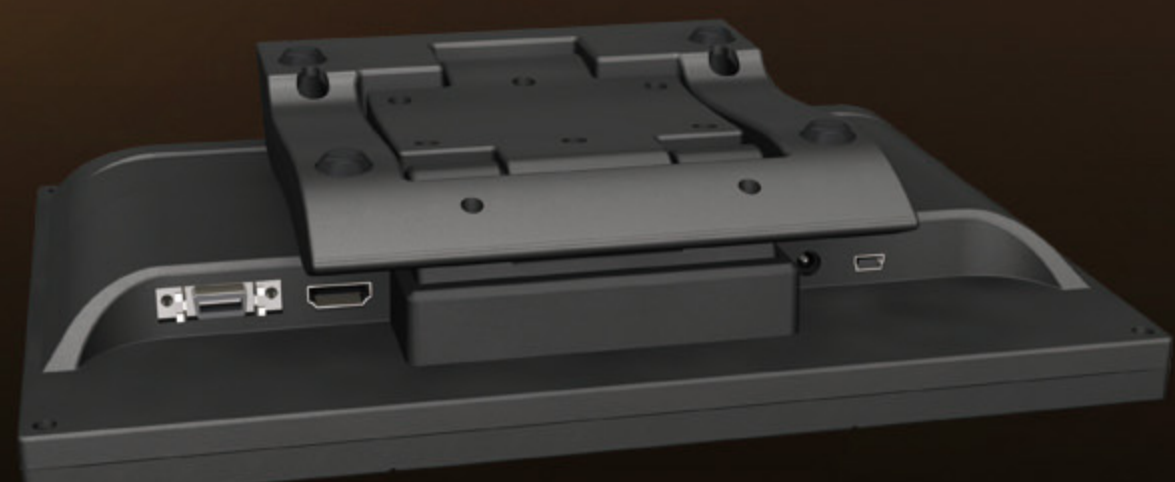
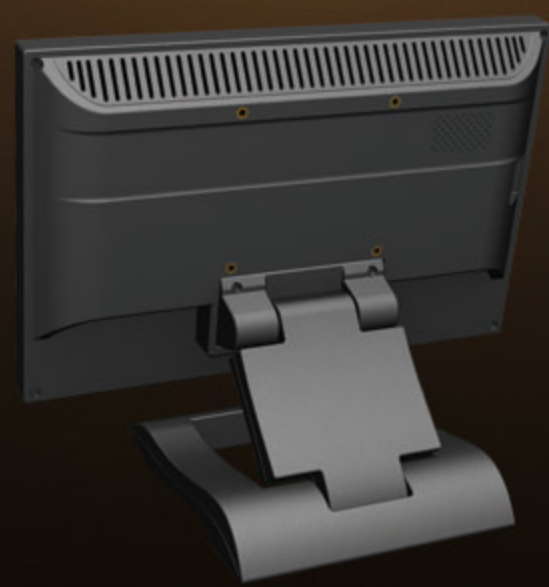
Multi touch, multi fun



Zoom-in/out



Rotation



VESA 75mm rail slot mounts (optional)

Panel
Touch Function
Resolution
Brightness
Contrast
Viewing Angle
Color System
Input Voltage
Input Signal
Power Consumption
Audio Output
Mounting Process
Feature
Dimension(LWD)
Weight

10.1" LED backlit (16:9)
Capacitive touch panel
1024×600
250cd/m²
500:1
140°/ 110°(H/V)
PAL-4.43,NTSC-3.58
DC 12V
AV1,AV2,PC(VGA), HDMI, DVI
≤9W
≤1.2W
Standard VESA Sockets (75mm)
Multi-touch function (Windows 7 OS only!)
259×170×34/62mm (with bracket)
1092g



VESA 75mm rail slot (optional)

ZHANGZHOU LILLIPUT ELECTRONIC TECHNOLOGY CO., LTD.
Add : Zong Si Road, Lan Tian Economic Development Zone, Zhang Zhou, Fu Jian, 363005, China
Tel: +86-596-2109661/2109323 Fax: +86-596-2109611
Email: sales@lilliput.com



www.lilliput.com