

Dual 7" 3RU Rack Monitors

With dual VGA, Video & DVI in/outputs for Live Shows & Monitoring

Model No.: **RM-7024**

LILLIPUT®

WWW.LILLIPUT.COM

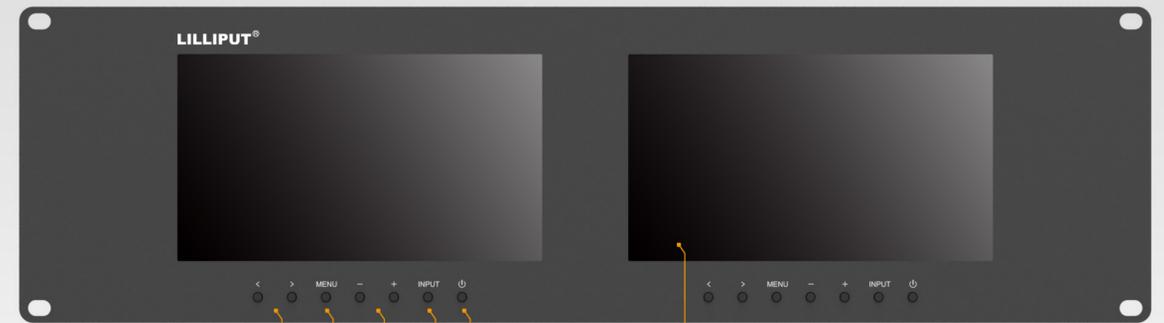


With dual 7" screens, make sure that live scene can be monitored under multiple displays conveniently.



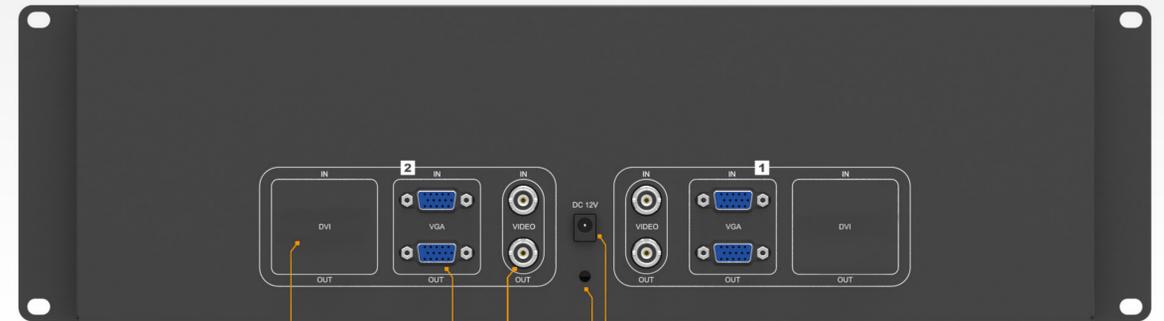
- Wide viewing angles
- High brightness: 400cd/m²
- High contrast: 500:1
- Dual VGA, Video & DVI in/outputs
- Independent power switches
- Firm & thin design

APPEARANCE



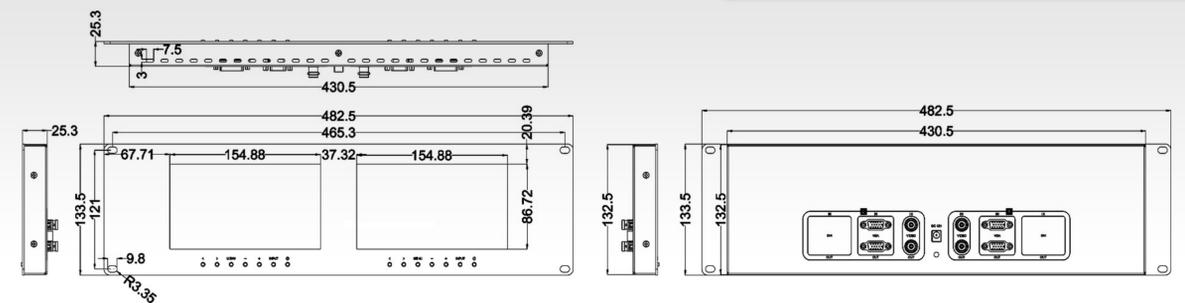
Power INPUT Input signal switch
Up & Down OSD setting
MENU Access or exit the menu function
Left & Right OSD control

7" LED Displays
Dual 7" led displays with 800x480 LED backlit displays



DVI In/output (optional)
VGA In/output
Video In/output
DC 12 V Reserved hole Reserved for power cable clamp

OUTLINE DIMENSION



SPECIFICATIONS & ACCESSORIES

DISPLAY	Panel	Dual 7" led backlit
	Physical Resolution	800 x 480
	Aspect Ratio	16:9
	Brightness	400 cd/m ²
	Contrast	500:1
INPUT	Viewing Angle	140°/ 120° (H/V)
	VGA	2
	Video	2
OUTPUT	DVI (optional)	2
	VGA	2
	Video	2
POWER	DVI (optional)	2
	Current	1100mA
	Input Voltage	DC 7-24V
ENVIRONMENT	Power Consumption	≤14W
	Operating Temperature	-20°C~60°C
	Storage Temperature	-30°C~70°C
DIMENSION	Dimension (LWD)	482.5×133.5×25.3mm
	Weight	2540g

Note: due to constant effort to improve products and product features, specifications may change without notice.

- 1. 12V DC adapter 1 piece
- 2. Power cable clamp 1 piece
- 3. Manual 1 copy



ZHANGZHOU LILLIPUT ELECTRONIC TECHNOLOGY CO., LTD.

WWW.LILLIPUT.COM



Add: Zong Si Road, Lan Tian Economic Development Zone, Zhang Zhou, Fu Jian, 363005, China
Tel: +86-596-2109661/2109323
Fax: +86-596-2109611 Email: sales@lilliput.com