



TK1040-NP/C/T TK1040-NP/C

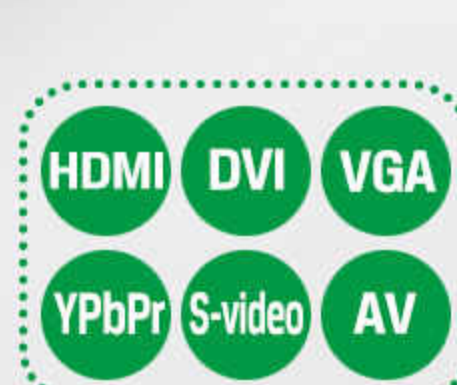
(without touch function)

10.4" LED INDUSTRIAL TOUCH MONITOR
OPEN FRAME DESIGN FOR OPTIONAL



Touch Screen

10.4 inch LED display with 5-wire resistive touch, also features with 4:3 aspect ratio, 800×600 resolution, 130°/110° viewing angles, 400:1 contrast and 250cd/m² brightness, providing satisfied viewing experience.



Rich Interfaces

Coming with HDMI, DVI, VGA, YPbPr, AV1, AV2 & S-video input signals to meet different needs of various professional display applications.



Metal Housing

Whole device with metal housing design, which make a good protection from damage, and good-looking appearance, also extend the lifetime of monitor.



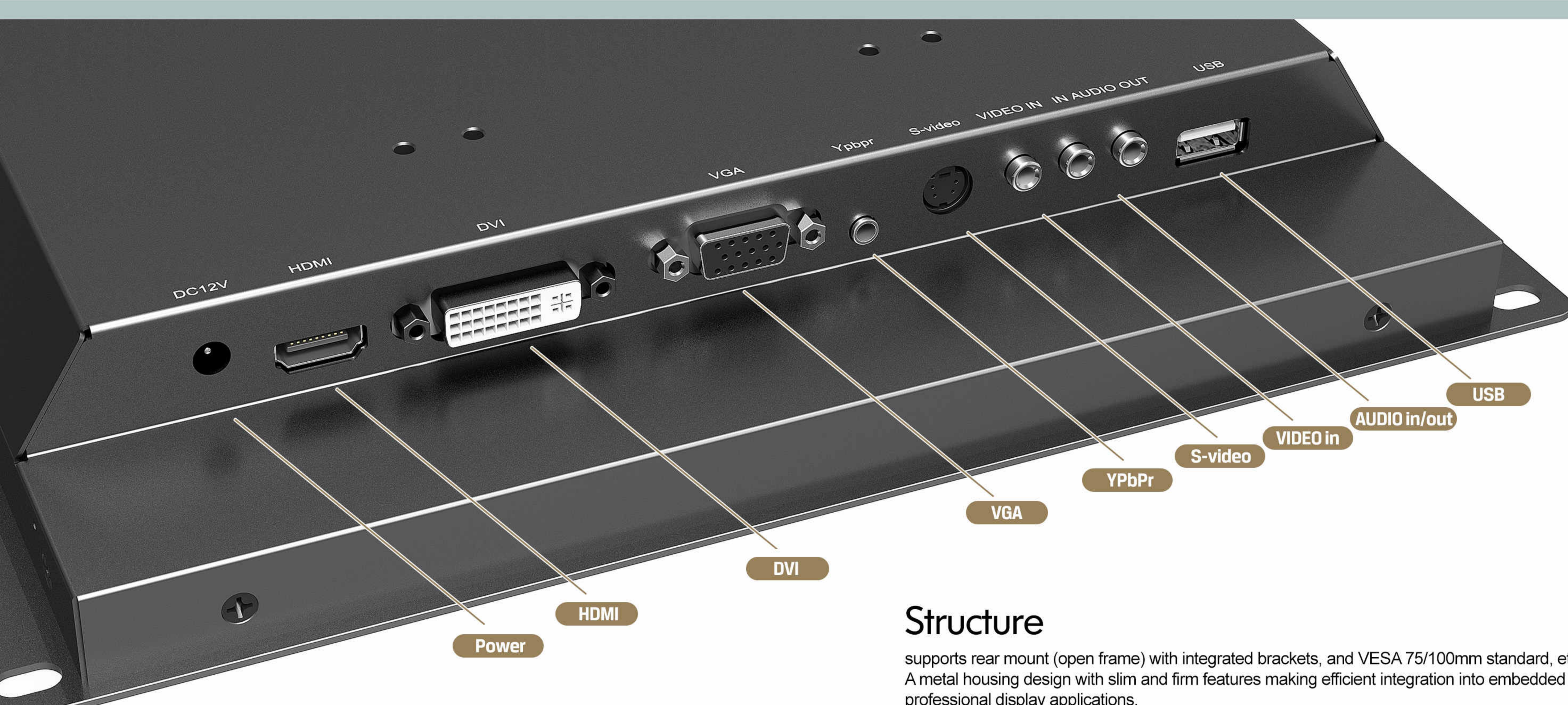
Open Frame

Having a variety of mounting usage in plenty of fields, such as rear (open frame), wall, 75mm & 100mm VESA, desktop and roof mounts.



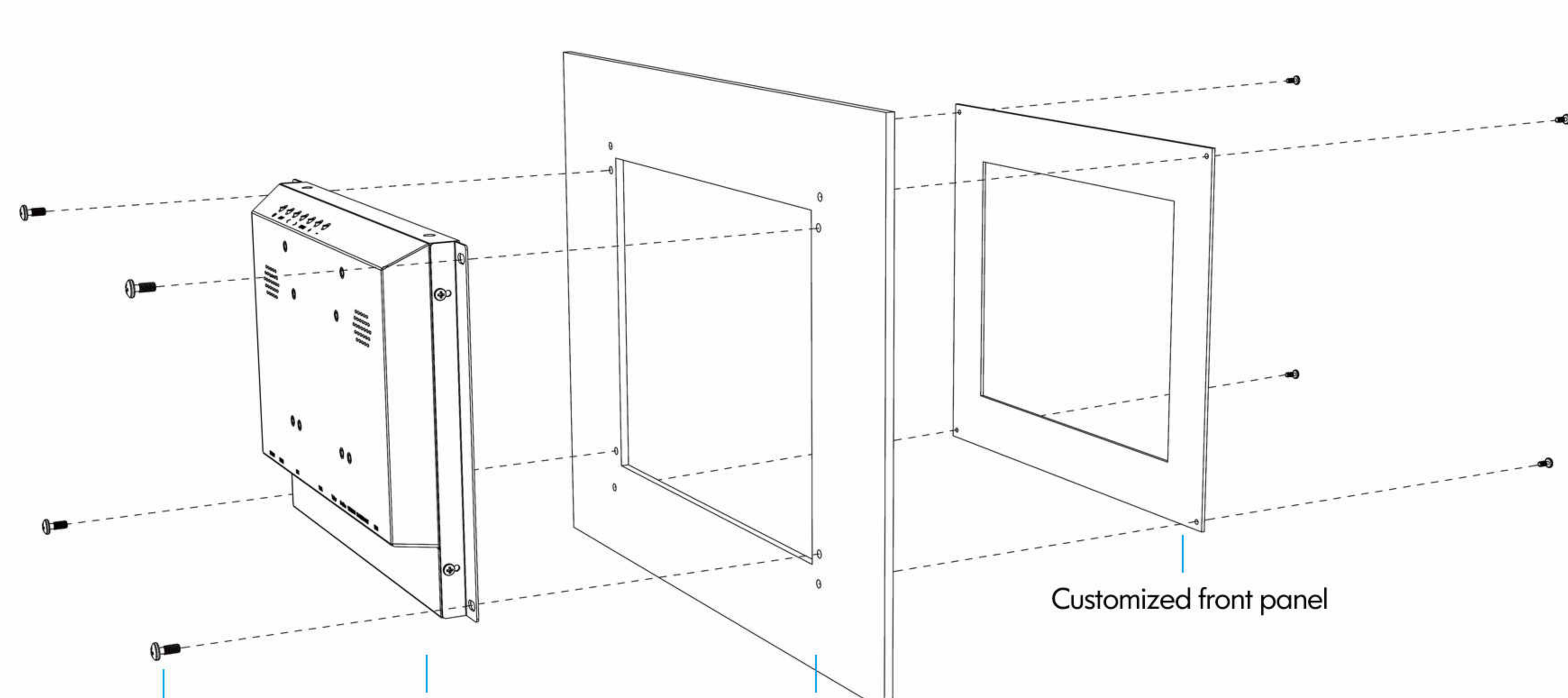
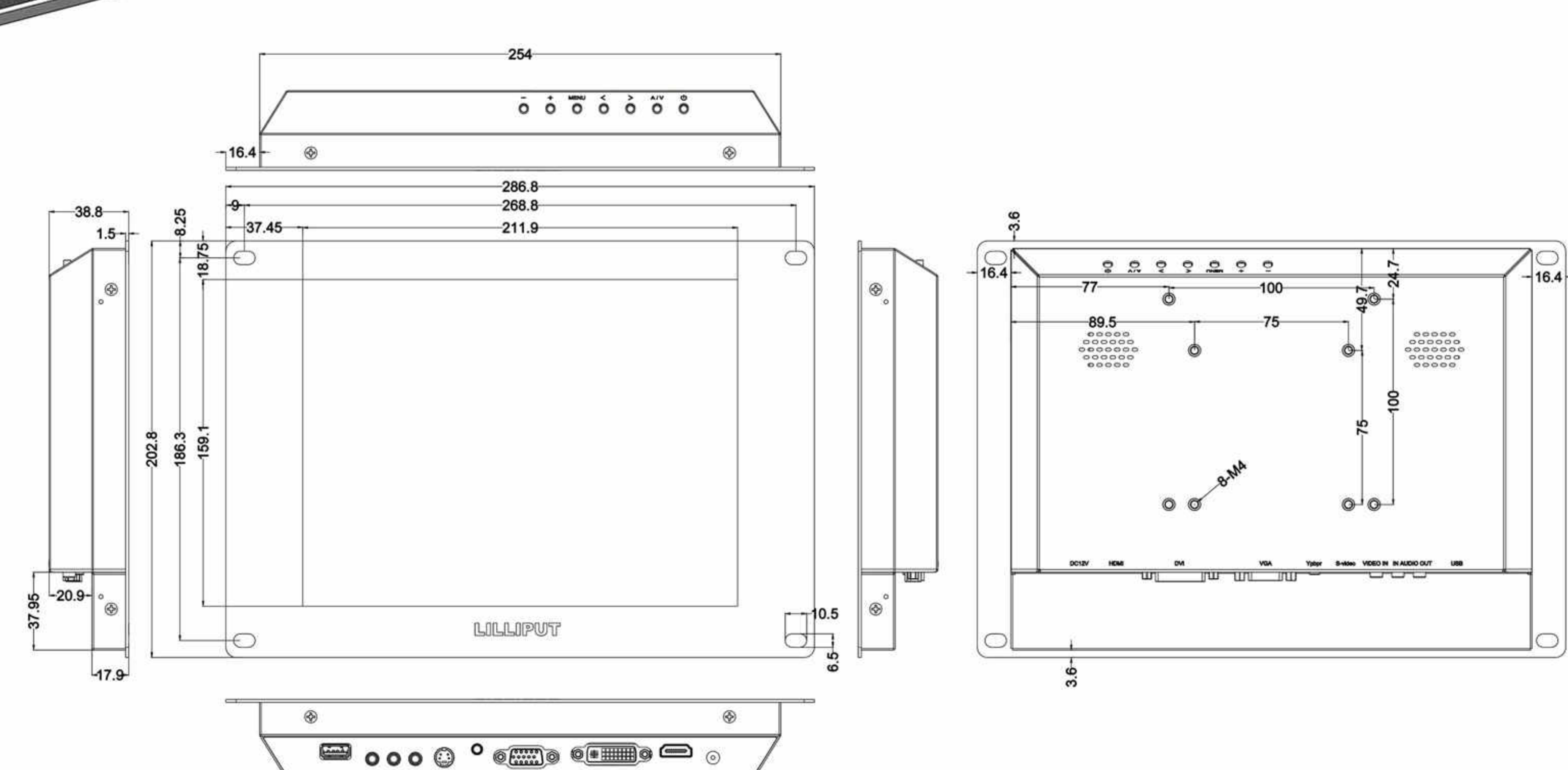
APPLICATION INDUSTRIES

Metal housing design which can be applied in different professional fields. For instance, Human-machine interface, entertainment, retail, supermarket, mall, advertising player, CCTV monitoring, numerical control machine and intelligent industrial control system, etc.

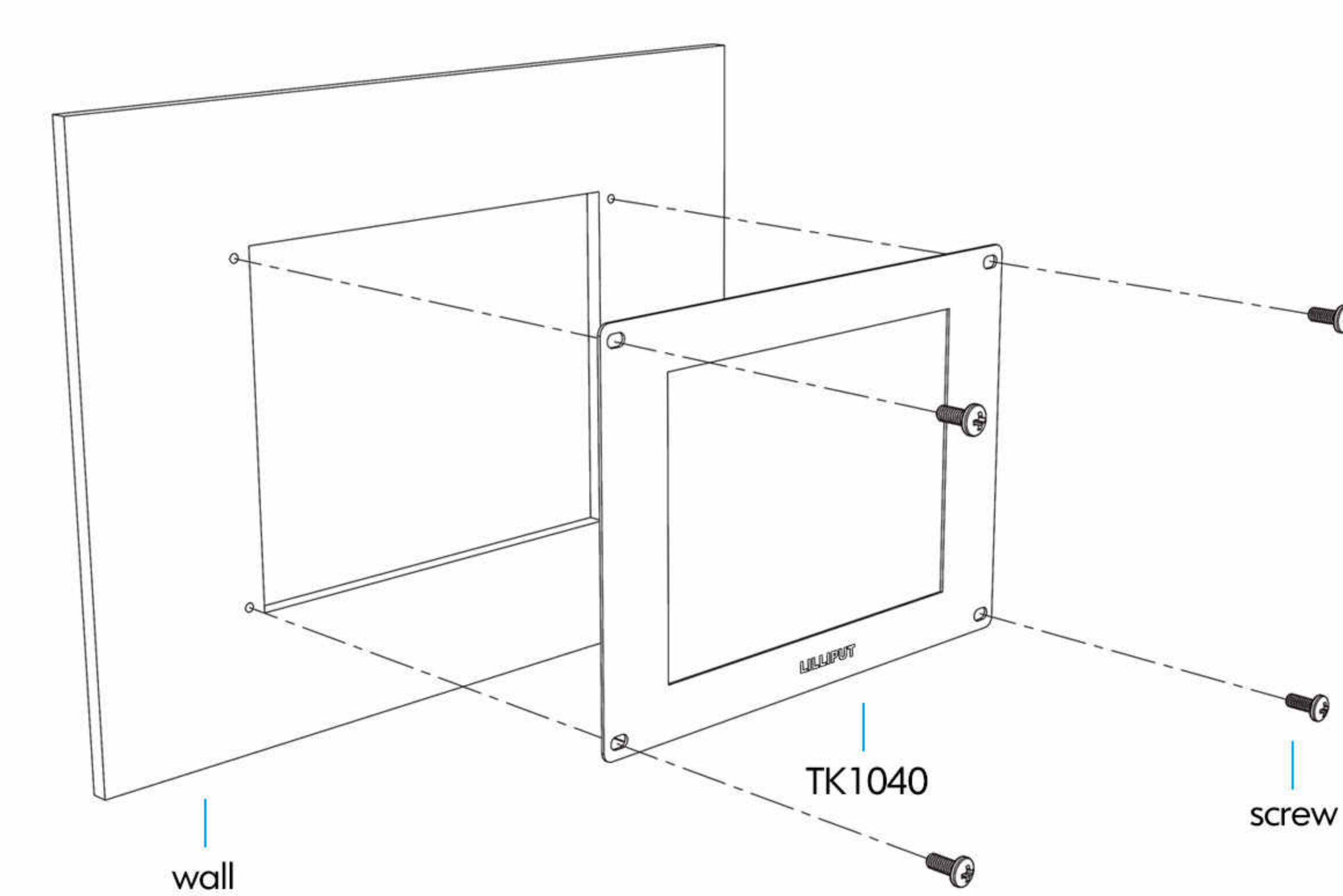


Structure

supports rear mount (open frame) with integrated brackets, and VESA 75/100mm standard, etc. A metal housing design with slim and firm features making efficient integration into embedded or other professional display applications.



A Rear Mount (open frame)



B Wall Mount

SPECIFICATIONS | ACCESSORIES

DISPLAY	Display Screen	10.4" LED backlight
	Resolution	800×600
	Aspect Ratio	4:3
	Touch Panel	5-wire resistive touch (optional)
	Contrast Ratio	400:1
INPUT AUDIO	Brightness	250cd/m ²
	Viewing Angle	130°/110° (H/V)
	Input Signal	HDMI, DVI, VGA, YPbPr, AV1, AV2 & S-video
POWER	Speaker	2
	Input Voltage	DC 12V
	Battery	External (optional)
ENVIRONMENT	Current	650mA
	Power Consumption	≤8W
	Audio Output	≤1.2W
DIMENSION	Operating Temperature	-20°C~60°C
	Storage Temperature	-20°C~70°C
	Dimension(LWD)	286.8×202.8×38.8mm
	Weight	1700g

ACCESSORIES

STANDARD

1. HDMI A/A cable 1 piece
2. VGA cable 1 piece
3. Video / Audio cable 3 pieces
4. YPbPr cable 1 piece
5. 12V DC adapter 1 piece
6. Open frame bracket or metal mount panel 1 piece
7. DVI cable (optional) 1 copy
8. VESA folding bracket (optional) 1 piece

FOR TOUCH FUNCTION

1. USB cable (for touch function) 1 piece
2. Touch driver disk 1 piece
3. Touch pen 1 piece



STANDARD

FOR TOUCH FUNCTION

Note: Due to constant effort to improve products and product features, specifications may change without notice.

