

CHAPTER 6: SPECIFICATIONS

6.1 Monitor Specifications

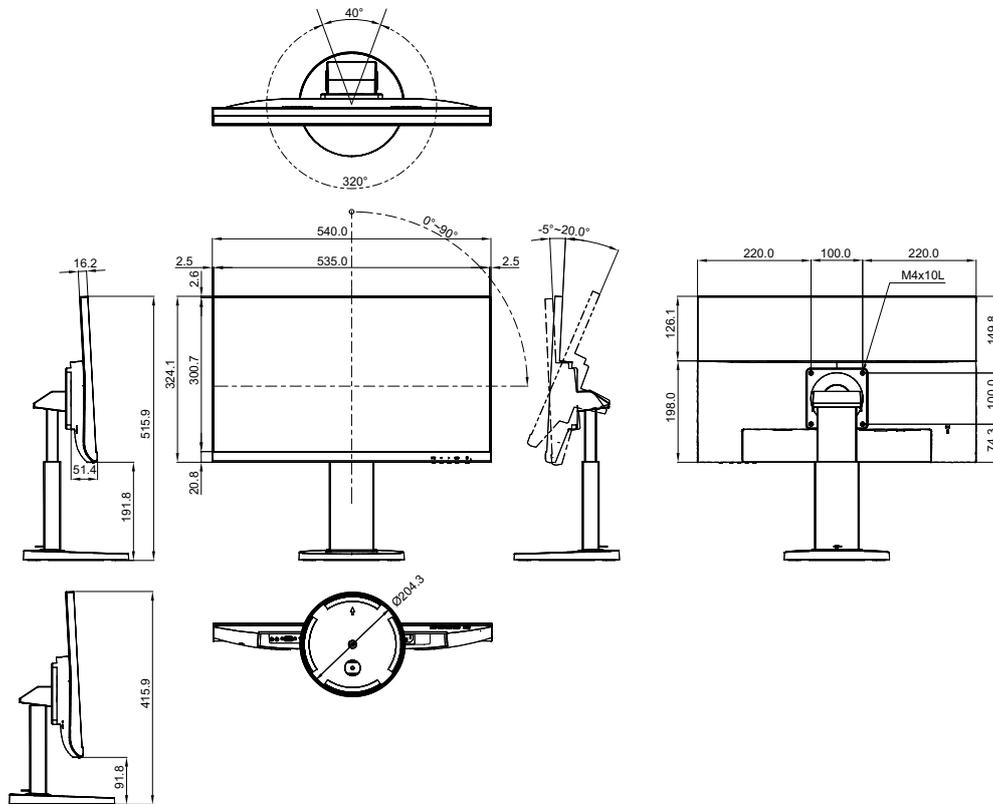
		MH-24	MH-27
Panel	Panel Type	LED-Backlit TFT LCD (VA Technology)	LED-Backlit TFT LCD (VA Technology)
	Panel Size	23.8"	27"
	Max. Resolution	FHD 1920 x 1080	FHD 1920 x 1080
	Pixel Pitch	0.275 mm	0.314 mm
	Brightness	250 cd/m ²	250 cd/m ²
	Contrast Ratio	20,000,000:1 (DCR)	20,000,000:1 (DCR)
	Viewing Angle (H/V)	178°/178°	178°/178°
	Display Colour	16.7M	16.7M
	Response Time	5 ms	5 ms
Frequency (H/V)	H Freq.	30 kHz-83 kHz	30 kHz-83 kHz
	V Freq.	50 Hz-75 Hz	50 Hz-75 Hz
Input	DisplayPort	x 1	x 1
	VGA	15-Pin D-Sub x 1	15-Pin D-Sub x 1
	HDMI	1.3 x 1	1.3 x 1
Audio	Audio In	Stereo Audio Jack (3.5 mm)	Stereo Audio Jack (3.5 mm)
	Audio Out	Stereo Audio Jack (3.5 mm)	Stereo Audio Jack (3.5 mm)
	Speaker	2W x 2	2W x 2
Power	Power Supply	Internal	Internal
	Power Requirements	AC 100-240V, 50/60 Hz	AC 100-240V, 50/60 Hz
	On Mode	19W (On)	24W (On)
	Stand-by Mode	< 0.5 W	< 0.5 W
	Off Mode	< 0.3 W	< 0.3 W
Operating Conditions	Temperature	0°C-40°C (32°F-104°F)	0°C-40°C (32°F-104°F)
	Humidity	10%-85% (non-condensing)	10%-85% (non-condensing)
Transport/ Storage Conditions	Temperature	-20°C-60°C (-4°F-140°F)	-20°C-60°C (-4°F-140°F)
	Humidity	5%-85% (non-condensing)	5%-85% (non-condensing)
Mounting	VESA FPMPI	Yes (100 x 100 mm)	Yes (100 x 100 mm)
Stand	Tilt	-5° to 20°	-5° to 22°
	Pivot	0° to 90°	0° to 90°
	Swivel	± 160°	± 160°
	Height Adjustment	0-100 mm	0-130 mm
Security	Kensington Security Slot	Yes	Yes
Dimensions	Product with Base (W x H x D)	540.0 x 515.9 x 204.3 mm (21.3" x 20.3" x 8.0")	613.8 x 563.3 x 244.6 mm (24.2" x 22.2" x 9.6")
	Packaging (W x H x D)	655.0 x 408.0 x 172.0 mm (25.8" x 16.1" x 6.8")	706.0 x 457.0 x 196.0 mm (27.8" x 18.0" x 7.7")
Weight	Product with Base	4.9 kg (10.8 lb)	6.0 kg (13.2 lb)
	Packaging	6.5 kg (14.3 lb)	7.6 kg (16.8 lb)

Note: All specifications are subject to change without prior notice.

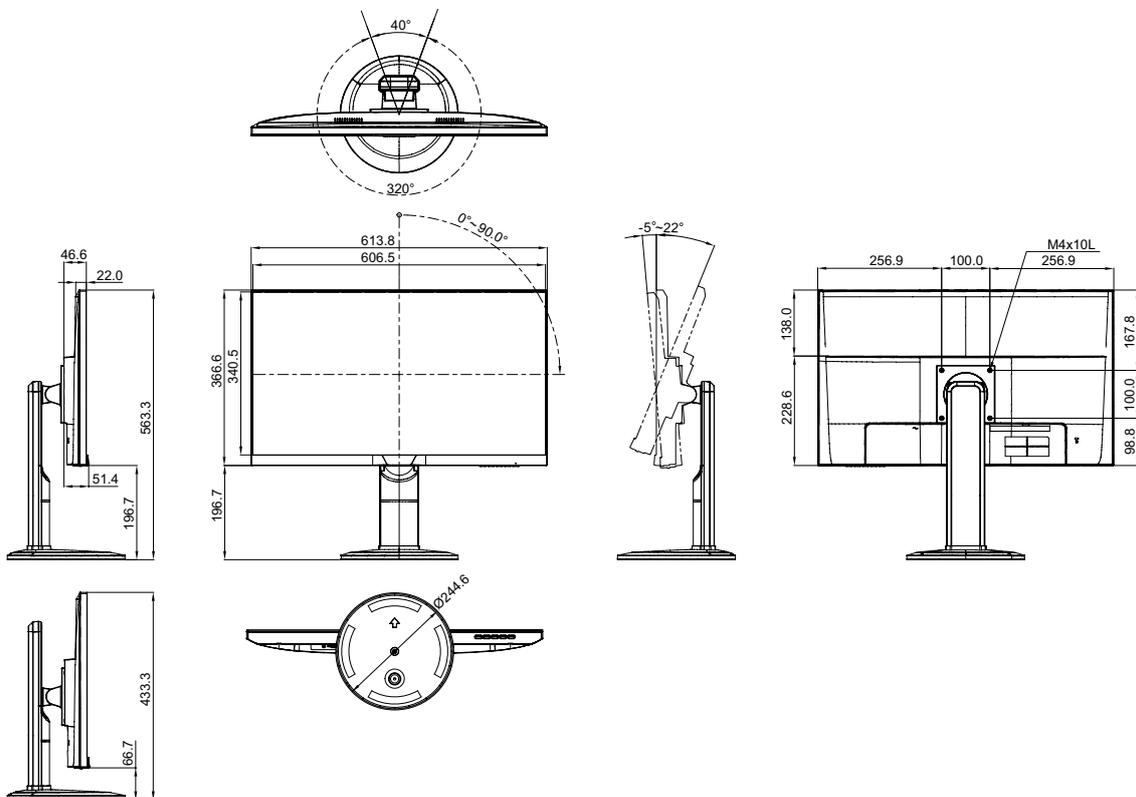
SPECIFICATIONS

6.2 Monitor Dimensions

MH-24



MH-27



AG Neovo

Company Address: 5F-1, No. 3-1, Park Street, Nangang District, Taipei, 11503, Taiwan.

Copyright © 2020 AG Neovo. All rights reserved.

MH2700/MH2400_UM_V010