

METAL CARRY CASE with 13.3" monitor exclusively for the ATEM Mini **MV1330**

- ▶ Dedicated Carry Case for ATEM Mini
- ▶ 13.3 inch Full HD IPS LCD Panel
- ▶ Program Out & Multi-view Feature
- ▶ Source Selectable Audio Out
- ▶ Rugged Metal Housing with Carry Handle
- ▶ Built-in Cooling Fan Design
- ▶ Kensington Security Slot for Anti-Theft



Model No. : MV1330



Dedicated Carry Case for ATEM Mini

The MV1330 is a carry case for the ATEM Mini series. It has a 13.3-inch IPS LCD panel with Full HD resolution (1920x1080). The ATEM Mini series fits neatly into the housing designed exclusively for ATEM Mini / Mini Pro / Mini Pro ISO. *1



Special designed metal casing for ATEM Mini/ Mini Pro/ Mini Pro ISO



The rear interface terminals are designed as the same arrangement as the ATEM Mini series.

Kensington Security Slot Anti-Theft

Kensington Security Slot is provided on the back corner of MV1330. User can use a security wire lock which is commercially available to protect it from being stolen when MV1330 is installed in a public premises.



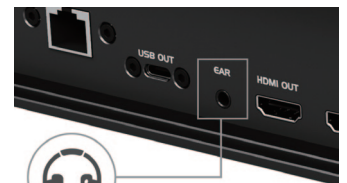
Rugged Metal Housing with Carry Handle

MV1330 is built with a rugged metal housing with a retractable mechanism and carry handle. User can carry it with the ATEM Mini installed inside. At the field, just need to open the casing cover and plug in the power which saves a lot of setup time.



Source Selectable Audio Out

3.5mm earphone jack terminal outputs the audio by selecting one from the four input HDMI sources. User can easily switch the audio source with select buttons on the MV1330. User can monitor the sound of each source signal through earphone or headphone.



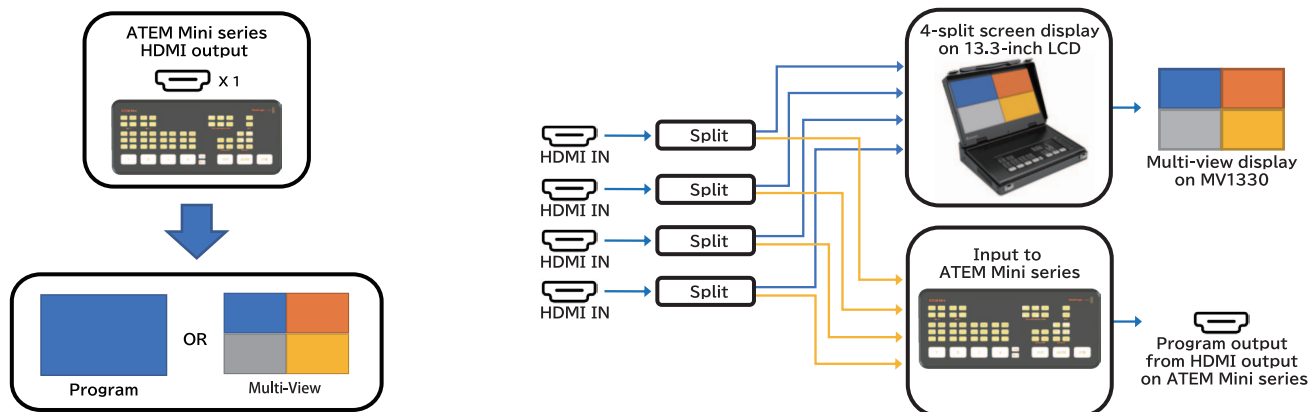
Built-in Cooling Fan Design

To ensure the operation reliability long time, MV1330 has a built-in cooling fan to dissipate the heat generated by the ATEM Mini.



Program Out & Multi-view Feature

Have you ever wanted to monitor the multi-view screen at the same time outputting the program video to HDMI display from the ATEM Mini? Input signals from source devices such as camera and PC are split and distributed respectively to the ATEM Mini and MV1330 main board. MV1330 also provides multi-view function which allows to display 4 different HDMI video source on one screen. This can make only one HDMI output port provided on ATEM Mini always to be used as a program output. ※1

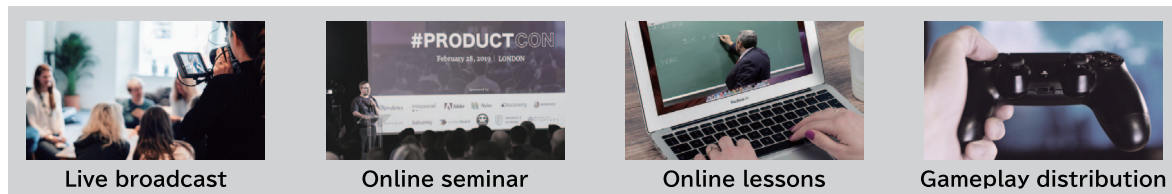


ATEM Mini series can output either multi-view or program output at one time

The HDMI output of ATEM Mini can be just utilized as program output

Application

The MV1330 works perfect with ATEM Mini series which brings add-on features and better usability that make operation easy and quick to set up the live production environment, suitable for business presentation, live streaming, education, training and lost of other applications.



Specification

Model No.	MV1330	
Color	Black	
LCD	Size	13.3" wide (16 : 9)
	Panel	IPS
	Surface	Anti-Glare
	Resolution	1920 x 1080
	Brightness	350 cd/m2
	Contrast	1000 : 1
	View Angle	178° (H) /178° (V)
Interface	Input	HDMI x 4 (to connect with ATEM Mini HDMI Input 1 ~ 4) / 3.5mmΦ phone jack (to connect with ATEM Mini MIC 1 ~ 2) x 2 pass through
	Output	HDMI x 1 (to connect with ATEM Mini HDMI Output) / 3.5mmΦphone jack x 1
	Other I/O	USB OUT (USB-C) x 1 pass through / ATEM CONTROL (Ethernet Port) x 1 pass through
ATEM Mini Series Interface	Input	HDMI x 1 (to connect with ATEM Mini HDMI Output)
	Output	HDMI x 4 (to connect with ATEM Mini HDMI Input 1 ~ 4) / 3.5mmΦ phone jack (to connect with ATEM Mini MIC 1 ~ 2) x 2 pass through
	Other I/O	USB OUT (USB-C) x 1 pass through / ATEM CONTROL (Ethernet Port) x 1 pass through
Speaker	-	
Power Input	DC 12V	
Power Output	DC 12V ※For ATEM Mini	
Power Consumption (DC12V)	36W ※With ATEM Mini Pro ISO	
Operating Temp.	5 ~ 40°C	
Storage Temp.	-10 ~ 60°C	
Humidity	0 ~ 90% (without condensation)	
Dimension	330 (W) x 243 (H) x 67 (D) mm ※Closed state without protrusions	
Weight	Approx. 3,850g ※ATEM Mini series not included	
Accessory	HDMI cable x5 / AC Adaptor x1 / Power cable x1 / Hex wrench x1 / screw(spare) x4	
Warranty	6 months	
Certificate	FCC / CE / PSE (AC Adaptor) / RoHS	

* 1) The imaginary "ATEM Mini series" and "ATEM Mini" in the document refer to "ATEM Mini", "ATEM Mini Pro" and "ATEM Mini Pro ISO". ※HDCP 2.2 is not supported ※Compatibility with ALL devices not guaranteed. ※ATEM Mini,ATEM Mini Pr,or ATEM Mini Pro ISO are trademarks or registered trademarks of Blackmagic Design Pty Ltd. ※HDMI, HDMI logo, or High-Definition Multimedia Interface are trademarks or registered trademarks of HDMI Licensing LLC. ※Due to product improvements, specifications are subject to change without notice.

The latest information and the detailed product specifications are available at www.ad-techno.com/en/

Copyright (c) ADTECHNO Inc. All rights reserved."ADTECHNO" and the ADTECHNO logo are registered trademarks of ADTECHNO Inc. All other brand names and trademarks or registered trademarks are the property of their respective owners. Pricing, specifications and availability subject to change without notice. Actual products, product images, and online product images may vary from images shown here. Not responsible for typographical errors.



3F/3-29, Ichigayahonmuracho, Shinjyuku-Ku, Tokyo 162-0845 Japan
TEL: +81 3 5206 3330 FAX: +81 3 5206 3339

Osaka Branch
7F., Fukusima Bldg., 5-13-18 Fukushima, Fukushima-Ku, Osaka 553-0003, Japan
TEL: +81 6 6451 0050

Taiwan Branch / Factory
3/4F., No.268, Liancheng Rd., Zhonghe Dist., New Taipei City 23553, Taiwan
TEL: +886 8227 9136 FAX: +886 2 8227 9186