

## 7" PORTABLE FIELD 3G-SDI MONITOR



3-Gbps (3G)-SDI, higher resolution (FHD) of picture quality required Serial Digital Interface (SDI) for 1080p/60Hz.



Display an X-Y plot of input signal about the relationship between two signals



Display the Luma(Y) and Chroma(Cb/Cr) of the input video signal as a form of waves



VZ-070FM-E has a 1280x800 resolution & use 7" IPS panel with wide viewing angles 178°x178°



The HDMI output connector can actively transmit in HDMI input signal or output in HDMI signal that has been converted from an SDI signal. In short, signal transmits from SDI input to HDMI output & from HDMI input to SDI output.



HDMI video out with no annoying splitters - it includes an HDMI output feature which allows customers to duplicate the video content onto a second monitor no annoying HDMI splitters. The second monitor can be any size & picture quality will not be affected.

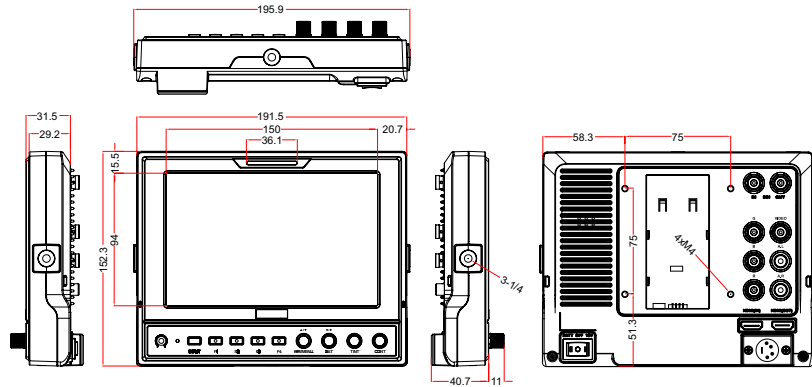


Viewing of the blanking area and sync/burst signal by displaying the horizontal and vertical intervals in the center of the screen



4:3, 14:9, 15:9 and 16:9 area line marker display

### DIMENSION

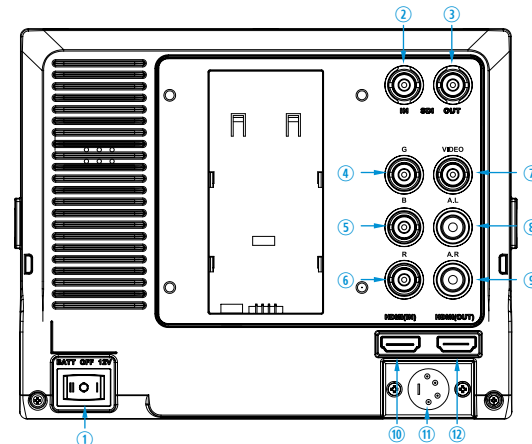


### VZ-070FM-E ADVANTAGES

- SDI Embedded 2CH Audio Level Meter
- SDI & HDMI Cross Conversion
- Wave / Vectpr Scope | Image Flip & Zoom | Histogram
- Front User-Definable Buttons (F1 to F4)
- Screen Color Mode: Blue, Red, Green & Mono
- H/V Delay, Peaking, Exposure, False Color(SD/HD SDI)
- Tally (Red, Green) Support | Metal Case | Hood

<b>MODEL #</b>	<b>VZ-070FM-E</b>	
<b>DISPLAY</b>		
Screen Size	7" (IPS Panel)	
Max. Resolution	1280x800 pixel	
Pixel Pitch	0.039 mm x 0.117 mm	
Brightness	350 cd/m <sup>2</sup> (Typical)	
Contrast Ratio	800 : 1	
Aspect Ratio	16 : 10	
Viewing Angle (H/V)	178° / 178°	
Color Depth	16.7 M (8bit)	
<b>INTERFACE</b>		
SDI In / Out	1 / 1	
HDMI In / Out	1 / 1	
RGB	1	
AV (Composite) In	1	
Audio In / Out (2ch De-Embedded Audio Selected Output)	1 / 1	
<b>AUDIO</b>		
Built in speaker	2W x 1	
<b>DIMENSIONS &amp; WEIGHT - WITH MOUNT</b>		
Outline Dimension (W x H x D) (inch)	7.53 x 5.98 x 1.22 / 5.55	
(W x H x D) (mm)	191.5 x 152 x 31.5 / 141 (w/ Cover)	
Net / Gross Weight	1.598 lbs (725g) / 1.98 lbs (900g)	
<b>Input Format</b>		
SDI SMPTE 425M-AB	1080p / 60,59.94,50 1920 x 1080i / 60,59.94,50	
SMPTE 274M	1920 x 1080p / 30,29.97,25,24,23.98 psf 1920 x 1080i / 60,59.94,50	
SMPTE 296M	1280 x 720p / 60,59.94,50	
SMPTE 125M	480i / 59.94	
ITU-R BT.656	576i / 50	
<b>GENERAL</b>		
Power - Electrical Ratings	XLR-4p (DC12V) / DC 7 ~ 24V	
- Consumption	11 W	
Warranty	2 Years	
Operating Temperature	32 - 104°F / 0 - 40°C	
Package Include	Monitor x1, Hood x1, Gimbal stand x1, Power Adapter x1, Shoe Mount x1, Adapter Panel x1, Power&Tally Cable x1, Carrying Case x1	

### INTERFACE



1. On-Off Switch
2. SDI In
3. SDI Out
4. G
5. B
6. R
7. Video (AV)
8. Audio Left
9. Audio Right
10. HDMI In
11. HDMI Out
12. DC XLR 12V In

### Contact ViewZ

- Address : 177 W. Orangethorpe Ave., Placentia, CA 92870
- Phone : (714)996-1177, Fax : (714)996-1138
- Sales : sales@viewzusa.com
- Specification subject to change without notice.