

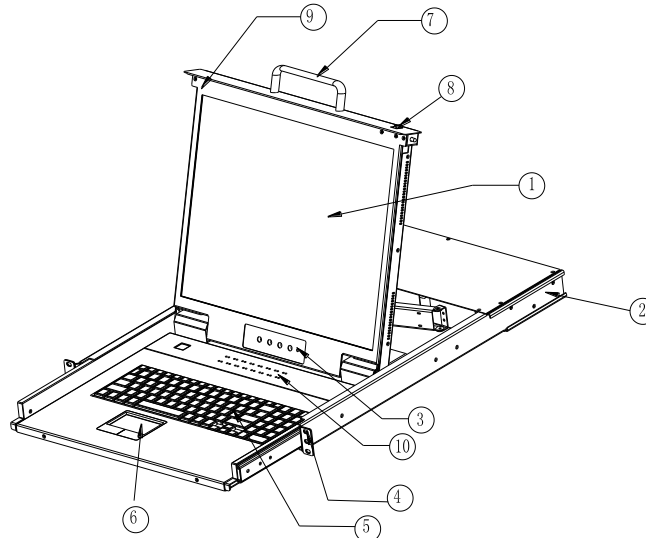
8 / 16 / 24 / 32 Port 19" Dual Rail Cat5 LCD KVM Console (DL2908 / DL2916 / DL2924 / DL2932)



Overview

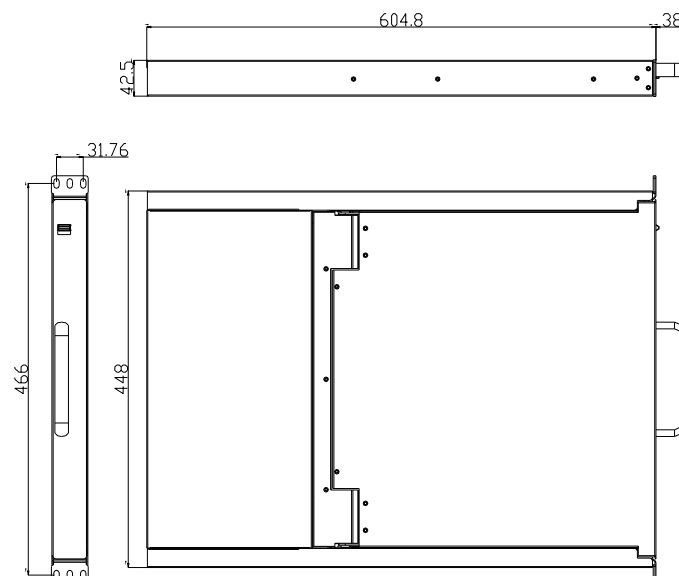
The 19" dual rail CAT5 console is a control unit that allows access to multiple computers from an USB KVM console. It allows to access and control up to 8 / 16 / 24 / 32 computers from a single console (keyboard, mouse, and monitor). As many as 256 / 512 / 768 / 1024 computers can be controlled from a single keyboard-monitor-mouse console by cascading to another 31 additional switches. The KVM switch supports USB connections for the console and computers, RJ-45 connectors and CAT 5e/6 cable are used to link to the computers.

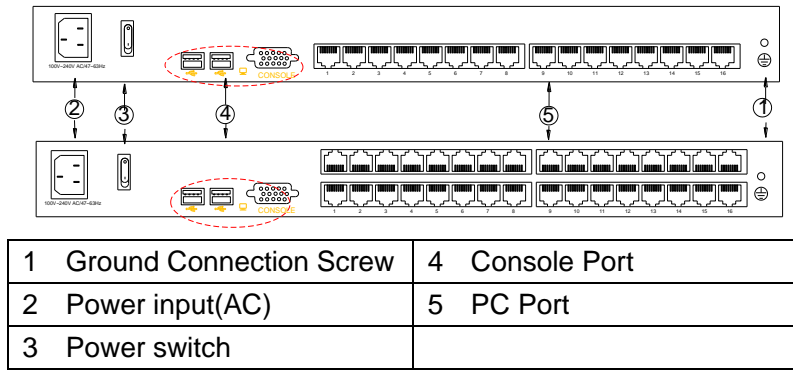
It is easy and fast to install the CAT5 KVM console; you just need to connect corresponding cables to the right ports of the CAT5 KVM and its module without software configuration. Transmission distance is up to more than 150M, so it doesn't need a KVM extender.



1	LCD Monitor	6	Touchpad
2	Rear Bracket Slot	7	Handle
3	Display Menu Buttons	8	Release Switch
4	Mounting Bracket	9	Display Panel
5	Keyboard	10	Port Selection Buttons

Structure





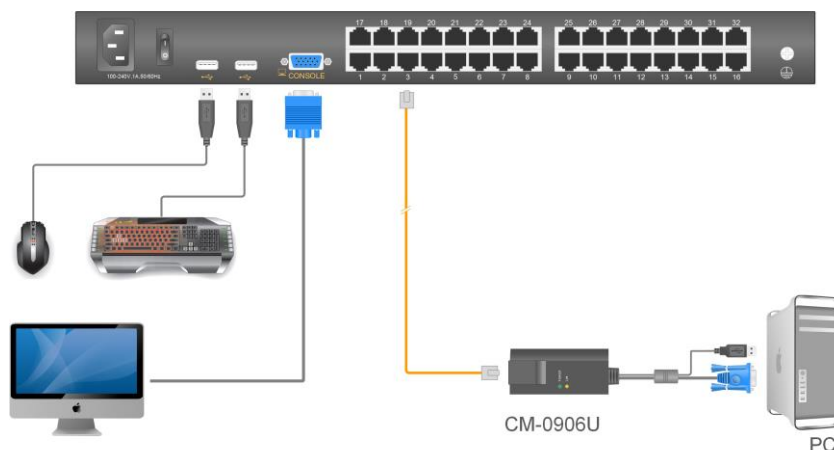
Features

- 19" TFT LCD monitor with high definition and high resolution
- KVM console with 19" monitor in a standard 19" housing with top and bottom clearance in a 1U high metal rack
- Dual rail design – LCD monitor slides independently of keyboard/touchpad module
- Ultra-slim 99 keys keyboard with small numeric keyboard and standard PS/2 port
- Touchpad with two function buttons and scroll wheel to realize high resolution and flexibility

Switch Functions

- Access and control up to 8 / 16 / 24 / 32 computes from a single USB KVM(keyboard, video and mouse) console
- Extending the transmitting distance between the console and the computer – 1600x1200@60Hz (50m), 1280x1024@60Hz (100m), 1024x768@60Hz (150m)
- Supports Multiple systems: Windows2000/XP/Vista, Linux, Mac and Sun
- Convenient computer switching via front panel pushbuttons, hotkeys, OSD menu or mouse
- Hot pluggable – add or remove computers without having to power down the switch
- Auto scan feature for monitoring user-selected computers
- Broadcast mode – operations simultaneously performed on all selected computers
- Keyboard and mouse emulation function

Connection Diagram



Specifications

Model		DL2908	DL2916	DL2924	DL2932
Computer connections	Direct	8	16	24	32
	Max	256	512	768	1024
Port emulation	Keyboard, mouse	PS/2, USB			
LCD monitor	LCD model	SXGA TFT			
	View area	19 "			
	Optimum resolution	1280×1024@60Hz			
	Display color	16.7 M			
	Brightness	250cd/m ² (T y p)			
	Contrast ratio	1000 : 1 (T y p)			
	Pixel pitch(mm)	0.294(H) × 0.294(W)			
Mouse	X/Y resolution	>1000 points / inch, (40 points/mm)			
	Touchpad with trackball	Eliminates the need for an external mouse			
Keyboard	99 keys (82 keys main keyboard +17 independent small numeric keyboard)				
Port selection	Pushbuttons, hotkeys, OSD menu, mouse				
Input power	100V – 240Vac, 50 ~ 60Hz, <1.5A				
Power consumption	20W	21W	22W	23W	
Operating temperature	0 – 40 °C				
Store temperature	-20 – 60 °C				
Humidity	0 – 80% RH, non-condensing				
Net weight	13.8 kg	13.8 kg	14kg	14kg	
Product dimension (W × D × H)	448mm×605mm×42.5mm				
Package dimension (W × D × H)	765mm×615mm×185mm				
Optional power input	-36V– -72V DC				