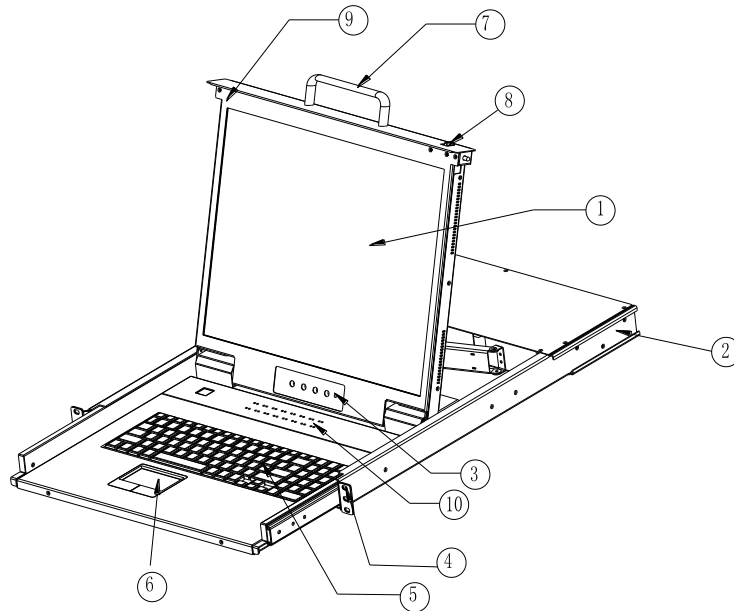


8 / 16 / 24 / 32 Port 19" Cat5 LCD KVM Console (LC1908 / LC1916 / LC1924 / LC1932)



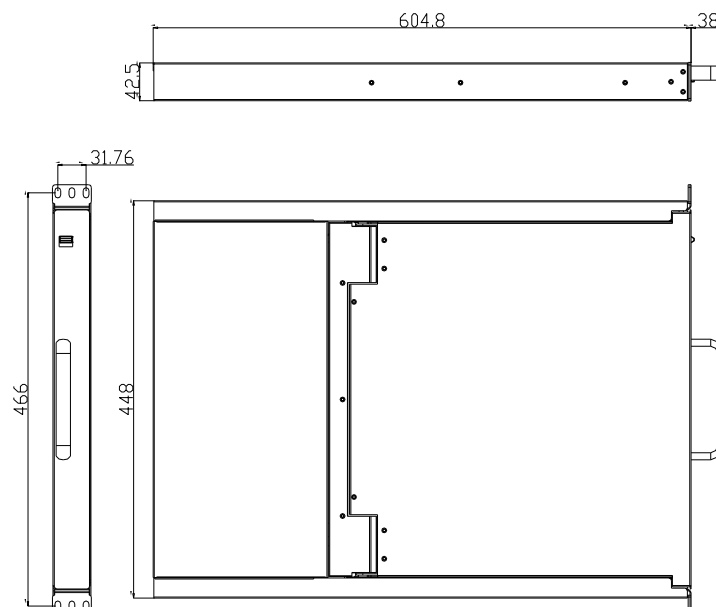
Overview

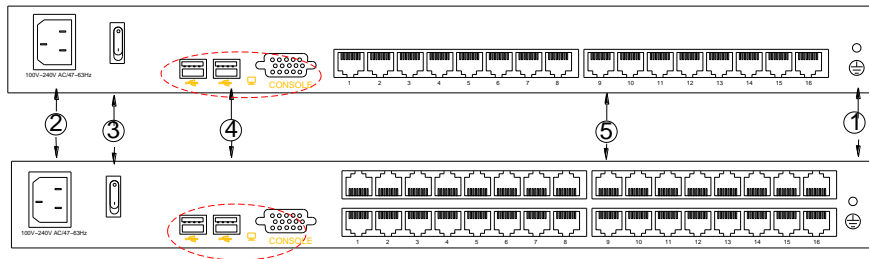
The 19" CAT5 LC Series KVM switch is a control unit that allows access to multiple computers from an USB KVM console. It allows to access and control up to 8 / 16 / 24 / 32 computers from a single console (keyboard, mouse, and monitor). As many as 256 / 512 / 768 / 1024 computers can be controlled from a single keyboard-monitor-mouse console by cascading to another 31 additional switches. The KVM switch supports USB connections for the console and computers, RJ-45 connectors and CAT 5e/6 cable are used to link to the computers.



1 LCD Monitor	6 Touchpad
2 Rear Bracket Slot	7 Handle
3 Display Menu Buttons	8 Release Switch
4 Mounting Bracket	9 Display Panel
5 Keyboard	10 Port Selection Buttons

Structure



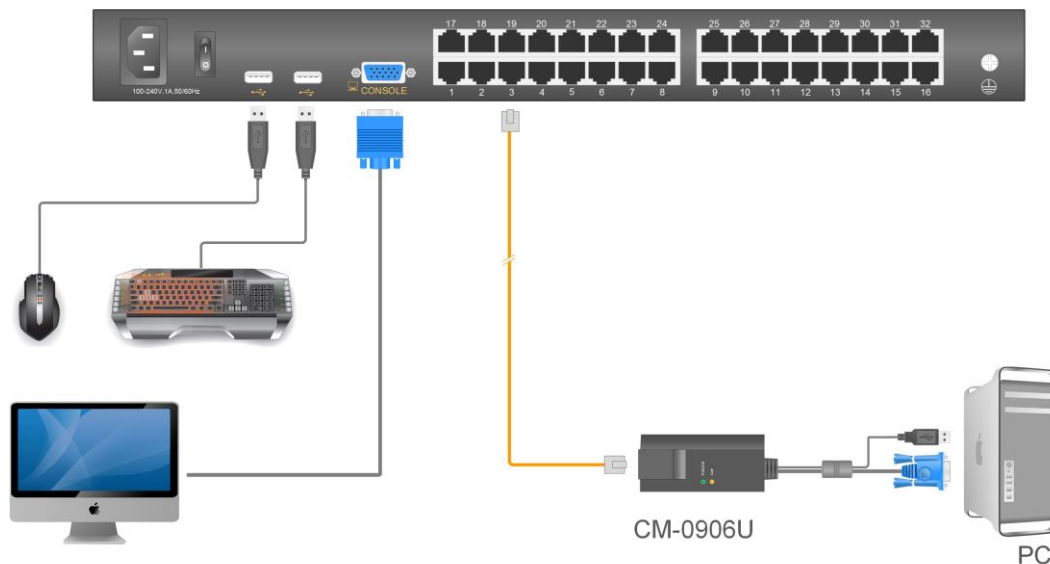


1	Ground Connection Screw	4	Console Port
2	Power input(AC)	5	Host Port
3	Power switch		

Features

- 19" LCD TFT monitor, high brightness, high resolution
- Metal 19" rack with 1U height
- Ultra slim 99 keys keyboard with small numeric keyboard
- High resolution and high flexibility with touchpad; with two function buttons and scroll wheel, standard USB port
- Access and control up to 8 /16/ 24/ 32 computes from a single USB KVM(keyboard, video and mouse) console
- Extending the transmitting distance between the console and the computer–1600x1200@60Hz (50m), 1280x1024@60Hz (100m), 1024x768@60Hz (150m)
- Supports Multiple systems: Windows, Linux, Mac and Sun
- Convenient computer switching via front panel pushbuttons, hotkeys, OSD menu or mouse
- Hot pluggable – add or remove computers without having to power down the switch
- Auto scan feature for monitoring user-selected computers
- Broadcast mode – operations simultaneously performed on all selected computers
- Keyboard and mouse emulation function

Connection Diagram



Specifications

Model		LC1908	LC1916	LC1924	LC1932
Computer connections	Direct	8	16	24	32
	Max	256	512	768	1024
Port emulation	Keyboard, mouse	PS/2, USB			
LCD monitor	LCD model	SXGA TFT			
	View area	19"			
	Optimum resolution	1280x1024@60Hz			
	Display color	16.7 M			
	Brightness	250cd/m ² (T y p)			
	Contrast ratio	1000 : 1 (T y p)			
	Pixel pitch(mm)	0.294(H) × 0.294(W)			
Mouse	X/Y resolution	>1000 points / inch, (40 points/mm)			
	Touchpad	Eliminates the need for an external mouse			
Keyboard	99 keys (82 keys main keyboard +17 independent small numeric keyboard)				
Port selection	Front panel pushbuttons, hotkeys, OSD menu, mouse				
Input power	100V – 240Vac, 50 ~ 60Hz, <1.5A				
Power consumption	20W	21W	22W	23W	
Operating temperature	0 – 40 °C				
Store temperature	-20 – 60 °C				
Humidity	0 – 80% RH, non-condensing				
Net weight	13.4kg	13.4kg	13.6kg	13.6kg	
Product dimension (W × D × H)	448mm x 605mm x 42.5mm				
Package dimension (W × D × H)	765mm x 615mm x 185mm				
Optional power input	-36V– -72V DC				