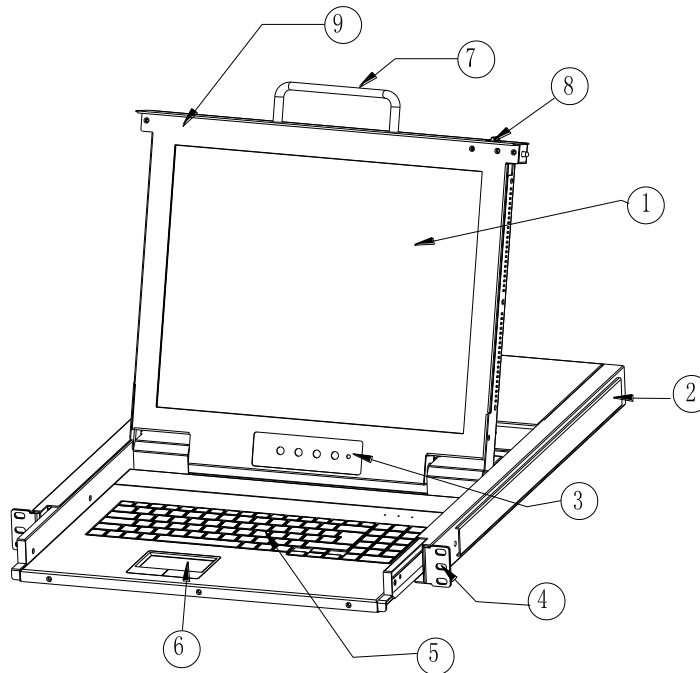


17" 1-Port DVI LCD KVM Console (LD2701)



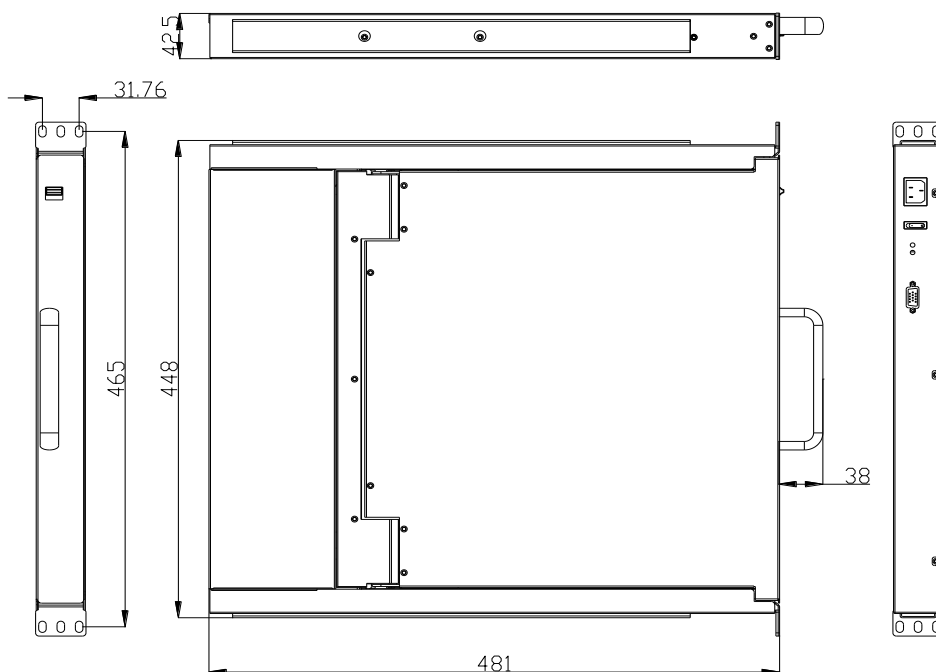
Overview

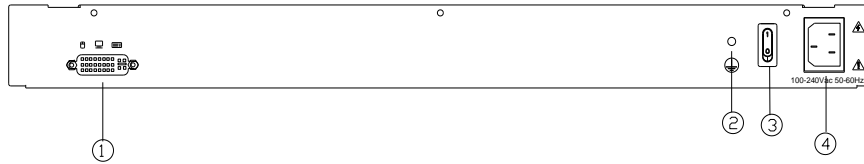
LD2701 is a single port DVI console which integrates the monitor, keyboard and mouse in a 1U device; it fits for installed in a standard 19" rack. It can connect one computer to control the monitor, keyboard and mouse.



1 LCD Monitor	6 Touchpad
2 Rear Bracket Slot	7 Handle
3 Display Menu Buttons	8 Release Switch
4 Mounting Bracket	9 Display Panel
5 Keyboard	

Structure





1 PC Port(DVI)	3 Power switch
2 Ground Connection Screw	4 Power input(AC or DC)

Features

- 3 in 1 LCD console integrates the monitor, keyboard and mouse in a 1U housing.
- The console can be connected to a PC or a KVM switch to control and manage single/multiple PCs.
- 17" TFT LCD monitor with high brightness, high definition and high resolution.
- Ultra-slim keyboard with 99 keys and numeric keypad
- Standard PS/2 interface
- Touch pad with trackball
- Automatically lock up with the front panel lock latch
- Compact steel construction and high quality hand-protection sliding rails

Connection Diagram



Specifications

Model		LD2701
Computer Connections		1
Port emulation	Keyboard, mouse	PS/2, USB
LCD monitor	LCD model	SXGA TFT
	View area	17 "
	Optimum resolution	1280x1024@60Hz
	Display color	16.7 M
	Brightness	250cd/m ² (T y p)
	Contrast ratio	1000 : 1 (T y p)
	Pixel pitch(mm)	0.264(H) × 0.264(W)
Mouse	X/Y resolution	>1000 points / inch, (40 points/mm)
	Scroll wheel	Support scroll wheel function
Keyboard		99 keys (82 keys main keyboard +17 independent small numeric keyboard)
Input power		100V – 240Vac, 50 ~ 60Hz, <1.5A
DVI Signal		DVI-D
Power consumption		13W
Operating temperature		0 – 40 °C
Store temperature		-20 – 60 °C
Humidity		0 – 80% RH, non-condensing
Net weight		11.7 kg
Product dimension (W × D × H)		448mmx481mmx42.5mm
Package dimension (W × D × H)		765mmx615mmx185mm