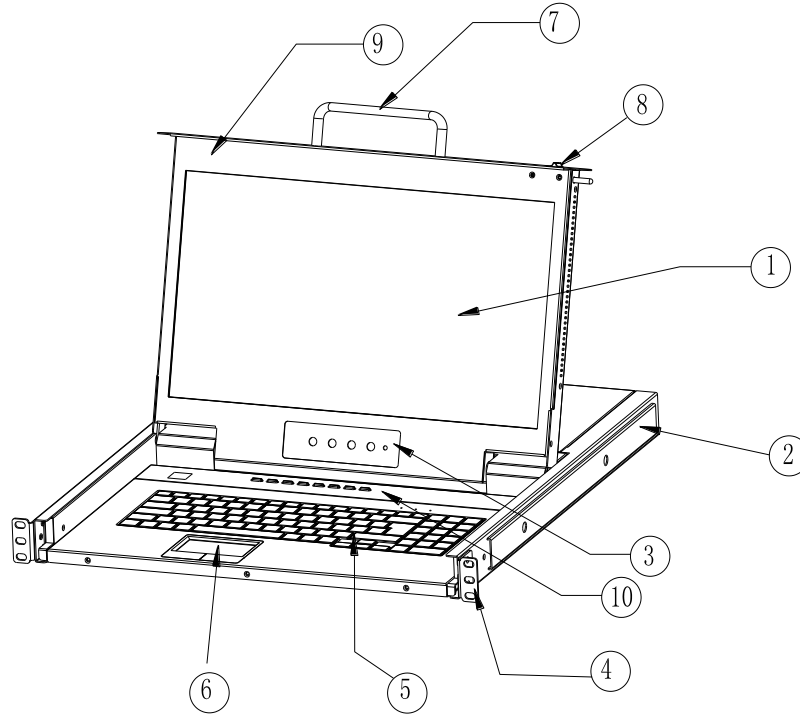


8 / 16 Port 17.3" HDMI LCD KVM Console (LH1708 / LH1716)



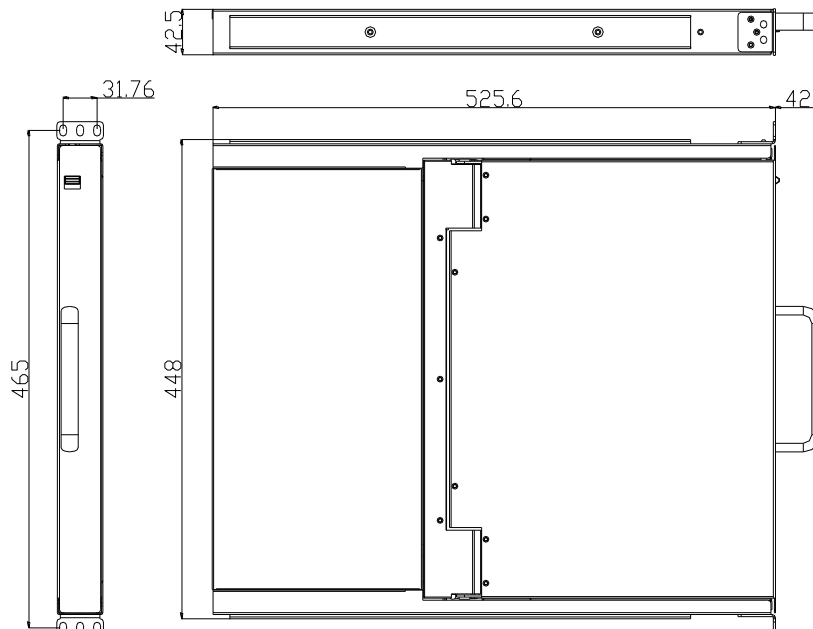
Overview

The HDMI KVM console integrates a 17.3" widescreen LCD monitor, keyboard & touchpad, and an 8/16 ports HDMI KVM switch in a 1U rack housing. It can control 8/16 computers with one monitor, keyboard and mouse. Connect computers via standard HDMI port, resolution is up to 1920 x 1080@60Hz. It is easy and fast to install the KVM console, you just need to connect corresponding cables to the right ports of KVM and its module without software configuration.



1 LCD Monitor	6 Touchpad
2 Rear Bracket Slot	7 Handle
3 Display Menu Buttons	8 Release Switch
4 Mounting Bracket	9 Display Panel
5 Keyboard	10 Port Selection Buttons

Structure



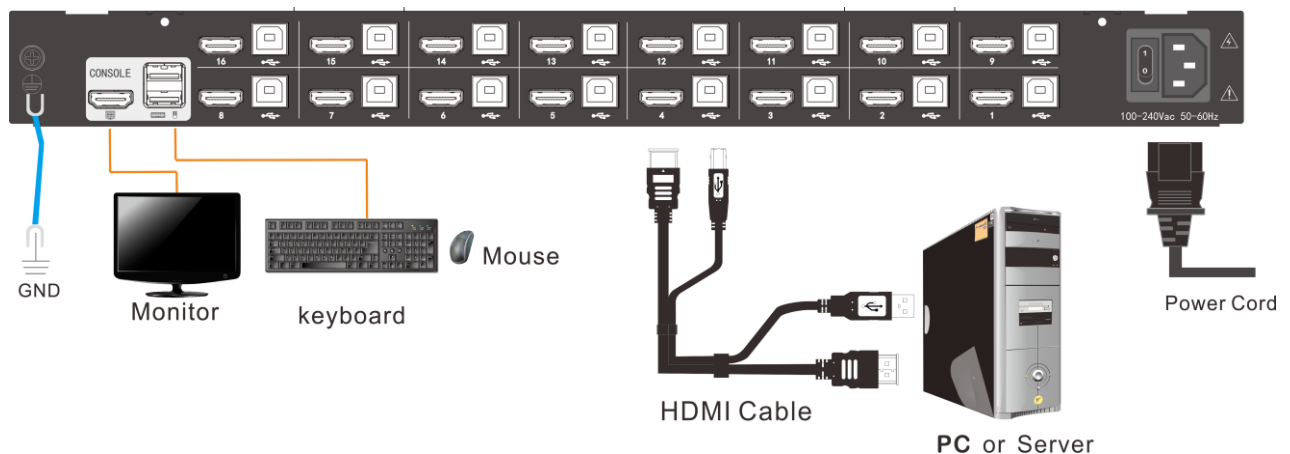


1	Ground Connection Screw	4	PC Port
2	Console Port	5	Power input(AC)
3	USB Port		

Features

- 17.3" TFT LCD monitor, high brightness, high resolution
- Superior video quality – up to 1920 x 1080@60Hz
- 1U height, suitable height for standard 19"rack mount, metal structure
- Ultra slim 99 keys keyboard with small numeric keyboard
- A single USB console controls up to 8 or 16 computers
- Auto PS/2 and USB interface detection
- Fully complied with HDCP
- Supports wireless keyboard and mouse from different suppliers
- Two level password security – only authorized users view and control computers; up to four users and an administrator with a separate profile for each
- Broadcast mode – operations simultaneously performed on all selected computers
- Multiplatform support – Windows, Linux, Mac and Sun
- Supports multimedia USB keyboard(PC, Mac and Sun)
- USB or PS/2 keyboard emulation – computer boot even the console focus is else where
- Convenient computer switching via front panel pushbuttons, hotkeys, OSD menu
- Auto scan feature for monitoring user-selected computers
- Hot pluggable – add or remove computers without having to power down the switch
- Quickly select your computer by naming the server or inputting SN number of the server

Connection Diagram



Specifications

Model	LH1708	LH1716
Computer connections	8	16
Port emulation	Keyboard, mouse	PS/2, USB
LCD Monitor	LCD Model	FHD TFT
	View Area	17.3"
	Optimum Resolution	1920×1080@60Hz
	Display Color	262K
	Brightness	300cd/m ² (T y p)
	Contrast Ratio	800 : 1(T y p)
	Pixel Pitch(mm)	0.1989(H) × 0.1989(W)
Mouse	X/Y Resolution	>1000 points /inch,(40 points/mm)
	Scroll Wheel	Supports scroll wheel function
Keyboard	99 keys (82 keys main keyboard +17 independent small numeric keyboard)	
Port Selection	Pushbuttons, hotkeys, OSD menu	
Input Power	100V – 240Vac, 50 ~ 60Hz, <1.5A	
Signal Input	HDMI	
Power Consumption	16W	20W
Operating Temperature	0 – 40°C	
Store Temperature	-20 – 60°C	
Humidity	0 – 80% RH, non-condensing	
Net Weight	11.5kg	11.7kg
Product Dimension (W × D × H)	448mm×525.6mm×42.5mm	
Package Dimension (W × D × H)	765mm×615mm×185mm	