

17.3" Rack-Mount LCD Console

(VGA / DVI / HDMI)

SW1731



Overview

The SW1731 DVI VGA LCD Console is a short depth single rail LCD KVM console featuring a 17.3" widescreen LCD monitor with an integrated keyboard and touchpad. It supports three types of video inputs – HDMI, DVI, and VGA – allowing users to connect the console and the computer via any of the three types of video source.

Features

- 17.3 in. Widescreen LCD monitor, keyboard, numeric keypad and touchpad
- All-in-one control of computer, server or KVM Switch
- Support three types of video inputs - HDMI, DVI, and VGA
- 17.3" FHD LCD screen offers resolutions of up to 1920 x 1080@60Hz
- Ultra thin 99-key US keyboard with numeric keypad
- Integrated touchpad - Eliminates the need for a separate, external mouse
- Supports hot-plugging
- Auto locking slide rail

Appearance

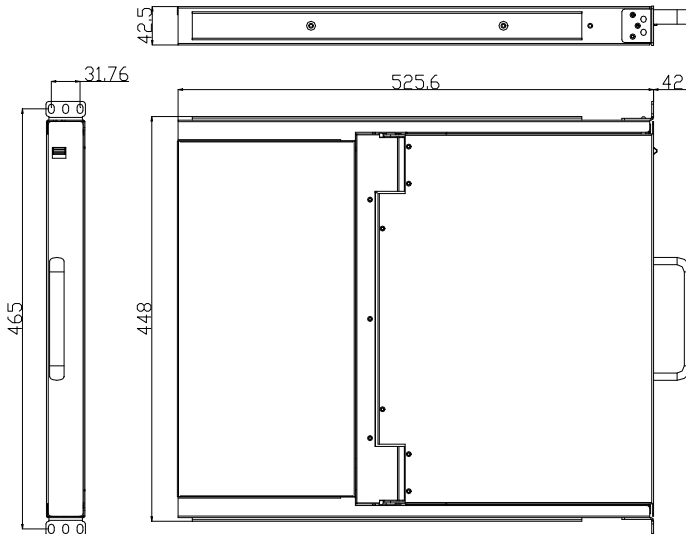
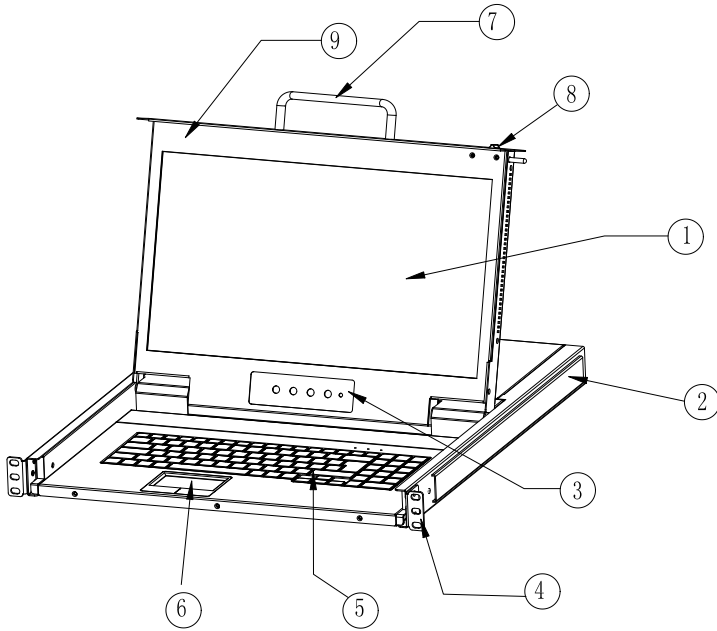


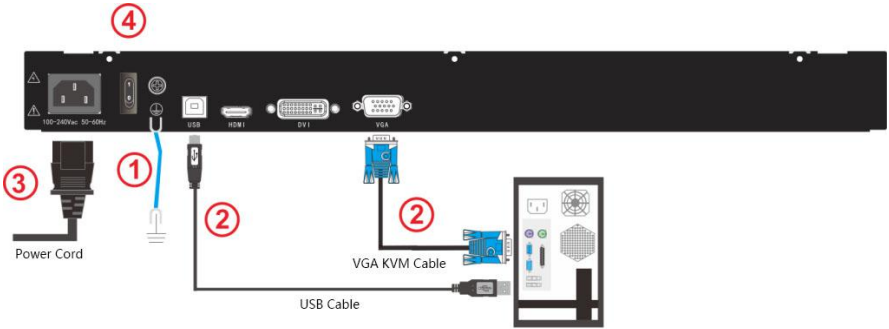
Figure 1.1 appearance

Front View



- | | |
|----------------------|------------------|
| 1. LCD monitor | 6. Touchpad |
| 2. Rear Bracket Slot | 7. Handle |
| 3. OSD Controls | 8. Release Lock |
| 4. Front Bracket | 9. Display Panel |
| 5. Keyboard | |

Connection Diagram



Note: The USB cable must be connected to the PC/server.

Cables

No.	Cables	Model No.	Cable Length	Remarks
1	USB cable	CU-1500	1.5 M	Included in the package
2	VGA KVM Cable	KA-1500	1.5 M	Included in the package
3	DVI KVM Cable	DV-1500	1.5 M	Optional
4	HDMI KVM Cable	HD-1500	1.5 M	Optional

Specifications-17.3"

Model		SW1731
Computer Connections	Direct	1
	Max	1
Port emulation	Keyboard, mouse	PS/2, USB
LCD monitor	LCD model	FHD TFT
	View area	17.3"
	Optimum resolution	1920×1080@60Hz
	Display color	262K
	Brightness	300cd/m ² (T y p)
	Contrast ratio	800 : 1(T y p)
	Pixel pitch(mm)	0.1989(H) × 0.1989(W)
Mouse	X/Y resolution	>1000 points / inch,(40 points/mm)
	Scroll wheel	Support scroll wheel function
Keyboard		99 keys (82 keys main keyboard +17 independent small numeric keyboard)
Video Inputs		HDMI, DVI, VGA
Power input rating		100V-240Vac , 50~60Hz , <1.5A
Power consumption		13W
Operating temperature		0—40 °C
Store temperature		-20— 60 °C
Humidity		0—80% RH, non-condensing
N.W.		11.7 kg
Product dimension (W × D × H)		448mm×525.6mm×42.5mm
Package dimension (W × D × H)		765mm×615mm×185mm