

Tokina

33X SUPER-MOTORIZED ZOOM LENS

TM33Z1540AI f = 15-500mm F/4.0 VIDEO AUTO IRIS
 TM33Z1540AIPN f = 15-500mm F/4.0 VIDEO AUTO IRIS With Preset

SPECIFICATIONS

MODEL NUMBER	TM33Z1540AI / TM33Z1540AIPN	
IMAGE FORMAT	1/2inch	
FOCAL LENGTH	10-550mm	
MAXIMUM APERTURE	F1 : 4.0	
APERTURE RANGE	F1:4.0 - 560	
M.O.D.	2.9m	
ANGLE OF VIEW	HORIZONTAL	W23.19° - T0.75° (W17.49° - T0.56°)
() = 1/3"	VERTICAL	W17.49° - T0.56° (W13.16° - T0.42°)
FILTER SIZE	M105mm, P=1.0	
DIMENSIONS	W122 x H125 x L267	
WEIGHT	2.9Kg	
OPERATING TEMPERATURE	-20°C ~ 60°C	
MOUNT	C	

• VIDEO AUTO IRIS

INPUT VOLTAGE	DC+8 ~ +16V
CURRENT CONSUMPTION	30mA or Less
INPUT SIGNAL	VS or V Signal
IRIS ACCURACY	±15% at Video Signal Level
SENSITIVITY	0.5 ~ 1.0Vp-p
RESPONSE SPEED	Approx. 4 Sec.
LEVEL REMOTE CONTROL	1.0 ~ 5.5V (#1)

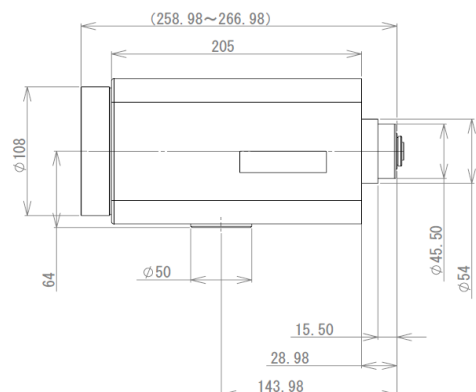
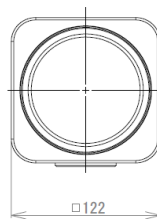
• FOCUS

INPUT VOLTAGE	DC+6 ~ +12V
CURRENT CONSUMPTION	50mA or Less
MOTORIZATION SPEED	9.5 Seconds (6V)

• ZOOM

INPUT VOLTAGE	DC+6 ~ +12V
CURRENT CONSUMPTION	60mA or Less
MOTORIZATION SPEED	5 Seconds (6V)

APPEARANCE

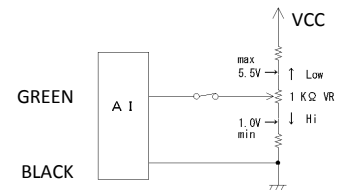


CABLE CONNECTIONS

• VIDEO AUTO IRIS (4-Wire shield cable)

CABLE COLOR	CONNECTION
Red	Power (DC8V~16V)
White	VS or V Signal
Green	Level Remote (See #1 in below)
Black	GND

#1 Wiring details for auto iris level remote



• FOCUS

CABLE COLOR	POLARITY	DIRECTION
Black	+ (-)	Inf. (Near)
Red	- (+)	

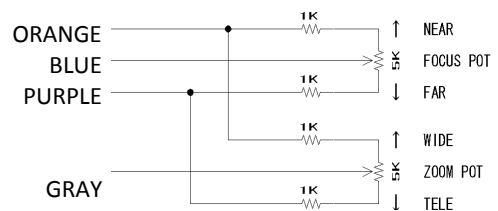
• ZOOM

CABLE COLOR	POLARITY	DIRECTION
Green	+ (-)	Wide (Tele)
White	- (+)	

• POTENTIOMETER-PRESET (TM33Z1540AIPN Only)

CABLE COLOR	CONNECTION
Orange	Pot. Supply
Gray	Zoom Pot. Wiper
Purple	Pot. Return
Blue	Focus Pot Wiper

Wiring details for potentiometer-preset



* Design and Specifications are subject to change without notice.

Tokina

33X SUPER-MOTORIZED ZOOM LENS

TM33Z1540N f = 15-500mm F/4.0 3-Motors
 TM33Z1540NPN f = 15-500mm F/4.0 3-Motors With Preset

SPECIFICATIONS

MODEL NUMBER	TM33Z1540N / TM33Z1540NPN	
IMAGE FORMAT	1/2inch	
FOCAL LENGTH	15-500mm	
MAXIMUM APERTURE	F1 : 4.0	
APERTURE RANGE	F1:4.0 - Close	
M.O.D.	2.9m	
ANGLE OF VIEW ()=1/3"	HORIZONTAL	23.185° - 0.747° (17.492° - 0.562°)
	VERTICAL	17.492° - 0.562° (13.164° - 0.423°)
FILTER SIZE	M105mm, P=1.0	
DIMENSIONS	W122 x H125 x L267	
WEIGHT	2.9Kg	
OPERATING TEMPERATURE	-20°C ~ 60°C	
MOUNT	C	

Electrical

	IRIS	FOCUS	ZOOM
INPUT VOLTAGE	DC+6 ~ +12V	DC+6 ~ +12V	DC+6 ~ +12V
CURRENT CONSUMPTION	50mA or Less	50mA or Less	60mA or Less
MOTORIZATION SPEED	Approx. 3 Seconds (6V)	9.5 Seconds (6V)	5 Seconds (6V)

CABLE CONNECTIONS

• IRIS

CABLE COLOR	POLARITY	DIRECTION
Brown	+ (-)	Close (Open)
Yellow	- (+)	

• FOCUS

CABLE COLOR	POLARITY	DIRECTION
Black	+ (-)	Inf. (Near)
Red	- (+)	

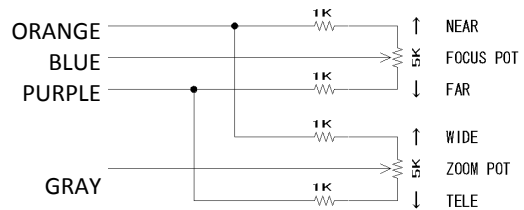
• ZOOM

CABLE COLOR	POLARITY	DIRECTION
Green	+ (-)	Wide (Tele)
White	- (+)	

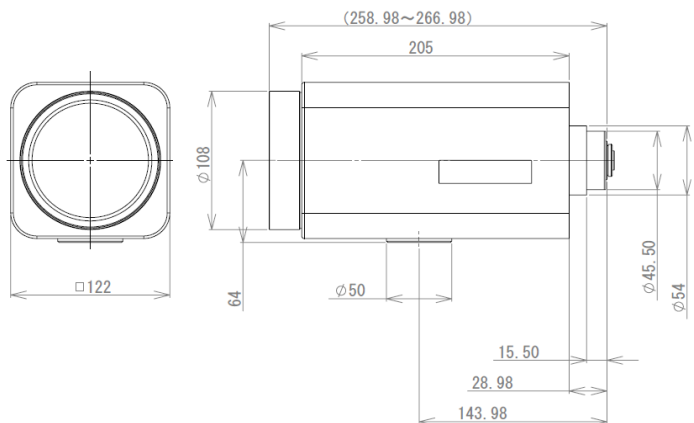
• POTENTIOMETER-PRESET (TM33Z1540NPN Only)

CABLE COLOR	CONNECTION
Orange	Pot. Supply
Gray	Zoom Pot. Wiper
Purple	Pot. Return
Blue	Focus Pot Wiper

Wiring details for potentiometer-pretset



APPERANCE



* Design and Specifications are subject to change without notice.