

Tokina

VARIFOCAL LENS

DC Auto Iris / IR Compatible

Aspherical Lens



TVR0398DCIR f = 3.0 - 8.2mm F/0.98 DC Auto Iris -IR

SPECIFICATION

MODEL NUMBER		TVR0398DCIR
IMAGE FORMAT		1/3 inch
MOUNT		CS
FOCAL LENGTH		3.0 - 8.2mm
MAXIMUM APERTURE		F0.98
APERTURE RANGE		F0.98 - 360
M.O.D.		0.3m
ANGLE OF VIEW	DIAGONAL	W111.3° ~ T43.1°
	HORIZONTAL	W89.2° ~ T34.5°
	VERTICAL	W66.8° ~ T25.9°
DIMENSIONS		ø37.5 x H45.4 x L52.3mm
WEIGHT		65g
OPERATING TEMPERATURE		-10°C ~ 45°C
WAVE LENGTH RANGE		430 - 900nm

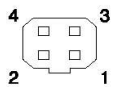
●DC AUTO IRIS (4-Wire Cable with 4-Pin Connector)

PIN No.	CONNECTION	CABLE COLOR
1	DAMPING COIL-	RED
2	DAMPING COIL+	BLACK
3	DRIVING COIL+	WHITE
4	DRIVING COIL-	GREEN

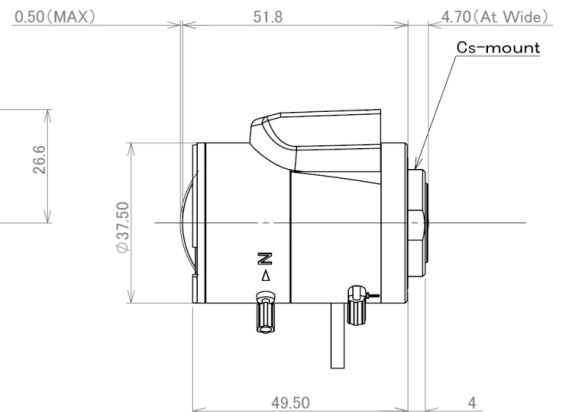
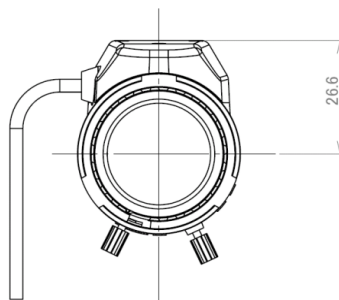
Galvano meter coil resister

DRIVING COIL 190Ω±10% (20°C)

DAMPING COIL 190Ω±10% (20°C)



4 Pin Connector
JEITA E4-191J-100



DESIGN AND SPECIFICATIONS ARE SUBJECT TO CHANGE WITHOUT NOTICE