

DTP HD DA 4K 330

LONG DISTANCE FOUR AND EIGHT OUTPUT DTP DISTRIBUTION AMPLIFIERS

DTP
SYSTEMS

4K UHD



DTP HD DA4 4K 330



DTP HD DA8 4K 330

The Extron DTP HD DA 4K 330 and DTP HD DA8 4K 330 provide signal extension and distribution to four or eight Extron DTP™-enabled products, sending HDMI, audio, and control up to 330 feet (100 meters) over shielded CATx cable. Both HDCP-compliant DTP distribution amplifiers include several integrator-friendly features that streamline installation and enable the reliable distribution of an HDMI source signal to multiple destinations within DTP Systems.

- ▶ Distributes HDMI plus control and analog audio up to 330 feet (100 meters) over shielded CATx cable
- ▶ Supports computer and video resolutions up to 4K, including 1080p/60 Deep Color
- ▶ Extron XTP DTP 24 shielded twisted pair cable is strongly recommended for optimal performance
- ▶ DTP™ outputs are compatible with HDBaseT-enabled devices
- ▶ HDMI input loop-through
- ▶ Audio input with loop-through accepts additional analog stereo audio signals
- ▶ Remote powering of DTP receivers
- ▶ RS-232 insertion from the Ethernet control port
- ▶ Bidirectional RS-232 and IR pass-through for AV device control
- ▶ Supported HDMI specification features include data rates up to 10.2 Gbps, Deep Color up to 12-bit, 3D, and HD lossless audio formats
- ▶ Key Minder®
- ▶ EDID Minder®
- ▶ Output muting control
- ▶ Compatible with all DTP 230 and DTP 330 Series receivers, and DTP-enabled products
- ▶ Rack-mountable 1U, full rack width metal enclosure



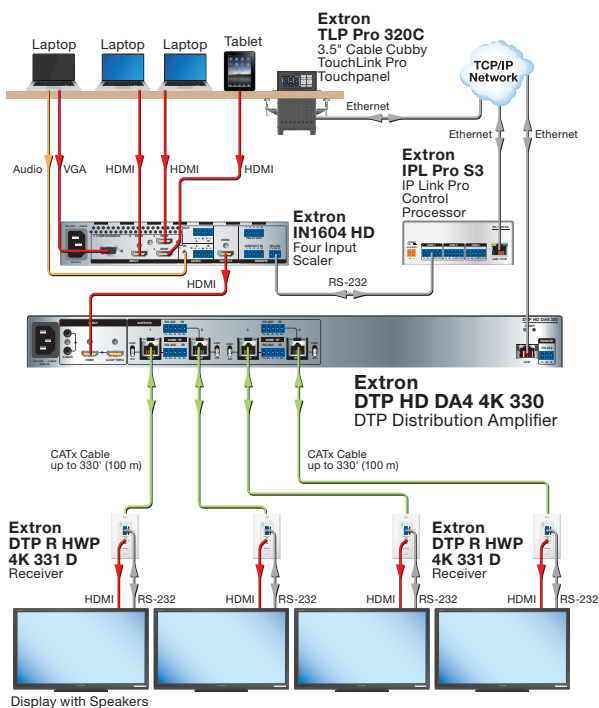
Extron Electronics
INTERFACING, SWITCHING AND CONTROL

DESCRIPTION

The Extron **DTP HD DA4 4K 330** and **DTP HD DA8 4K 330** are distribution amplifiers that provide one HDMI input with loop-through, and either four or eight DTP outputs. Each twisted pair output sends HDMI, audio, and control up to 330 feet (100 meters) over shielded CATx cable to Extron DTP-enabled products. The DTP HD DA 4K 330 accepts analog stereo audio signals for simultaneous transmission over the same shielded CATx cable. It supports video signals at resolutions up to 4K, including 1080p/60 Deep Color. The DTP HD DA 4K 330 offers bidirectional RS-232 and IR pass-through at each DTP output, plus system level RS-232 control of AV devices via Ethernet insertion. It features remote powering of DTP receivers, EDID Minder, Key Minder, and selectable output muting.

To enhance and simplify integration, the DTP HD DA 4K 330 includes automatic input cable equalization and automatic color bit depth management. The DTP HD DA 4K 330 also features analog stereo audio loop-through for local audio system and monitoring needs. The DTP outputs can be muted independently via Ethernet or RS-232. Each twisted pair output also offers an HDBaseT output mode for compatibility with HDBaseT-enabled displays. The distribution amplifier is easily controlled via Ethernet, USB, or RS-232. The DTP HD DA 4K 330 can be integrated with Extron switchers, scalars, or other DTP-enabled products to provide multiple, simultaneous outputs for signage and presentation overflow room applications.

APPLICATION DIAGRAM



SPECIFICATIONS

TRUE 4K SPECIFICATION

Max 4K Capabilities		
Resolution and Refresh Rate	Chroma Sampling	Max Bit Depth per Color
4096 x 2160 at 30 Hz 3840 x 2160 at 30 Hz	4:4:4	8 bit
4096 x 2160 at 60 Hz 3840 x 2160 at 60 Hz	4:2:0	

Frame rate ¹	24, 25, 30, 50, or 60 fps
Chroma sampling ¹	4:4:4, 4:2:2, or 4:2:0
Color bit depth ¹	8 bits per color
Signal type	HDMI 1.4, HDCP 1.4
Max. video data rate	10.2 Gbps (3.4 Gbps per color)

NOTE: ¹Subject to the maximum data rate limit. Use our calculator at www.extron.com/8Kdata to determine video parameters supported by this data rate.

VIDEO INPUT

Connectors	1 female HDMI type A
------------	----------------------

VIDEO OUTPUT

Number/signal type	1 single link HDMI (Local Output)
DTP HD DA4 4K 330	4 DTP 330
DTP HD DA8 4K 330	8 DTP 330

INTERCONNECTION BETWEEN TRANSMITTER AND RECEIVERS

Signal transmission distance

DTP HD DA4/DA8 4K 330	Up to 330' (100 m) using shielded twisted pair (STP) cable or XTP DTP 24 cable
1080p @ 60 Hz	
4K/UHD @ 30 and 60 Hz	Up to 330' (100 m) using STP cable or XTP DTP 24 cable

Cable requirements Solid conductor, 24 AWG or better

Cable recommendations 400 MHz bandwidth STP cable

NOTE: Extron XTP DTP 24 shielded twisted pair cable is strongly recommended for optimal performance.

NOTE:

Output mode signaling:

DTP: HDMI with embedded audio, analog audio, RS-232 and IR, and remote power

HDBaseT: HDMI with embedded audio plus RS-232 and IR

GENERAL

Power supply	Internal Input: 100-240 VAC, 50-60 Hz
Enclosure dimensions	
DTP HD DA4 4K 330	1.75" H x 17.5" W x 10.6" D (1U high, full rack wide) (4.4 cm H x 44.4 cm W x 26.8 cm D, depth excludes connectors)
DTP HD DA8 4K 330	1.75" H x 17.5" W x 10.6" D (1U high, full rack wide) (4.4 cm H x 44.4 cm W x 26.8 cm D, depth excludes connectors)
Regulatory compliance	
Safety	CE, c-UL, UL
Everlast power supply warranty	7 years parts and labor

Model	Version Description	Part number
DTP HD DA4 4K 330	HDMI to Four Output DTP DA - 330 feet (100 m)	60-1437-51
DTP HD DA8 4K 330	HDMI to Eight Output DTP DA - 330 feet (100 m)	60-1438-51

For complete specifications, please go to www.extron.com
Specifications are subject to change without notice.

WORLDWIDE SALES OFFICES

Anaheim • Raleigh • Silicon Valley • Dallas • New York • Washington, DC • Toronto • Mexico City • Paris
London • Frankfurt • Madrid • Stockholm • Amersfoort • Moscow • Dubai • Johannesburg • Tel Aviv • Sydney
Melbourne • Bangalore • Mumbai • New Delhi • Singapore • Seoul • Shanghai • Beijing • Hong Kong • Tokyo

www.extron.com