



Theia

TECHNOLOGIES



SL183 / ML183 Varifocal Ultra wide No Distortion 5 Megapixel Lens



LINEAR OPTICAL TECHNOLOGY

- ✓ Patented Linear Optical Technology® provides **ultra wide** field of view adjustable up to 120° for greater coverage with fewer cameras
- ✓ **EasyZoom™** allows the user to optimize the field of view with minimal need for refocusing
- ✓ IR corrected for true **Day/Night** cameras
- ✓ Supports **multi megapixel resolution** cameras for demanding applications
- ✓ Compatible with 1/3", 1/2.7" HD, 1/2.5", 1/2.3" 4K* and 1/2"*** sensor sizes



Typical wide angle lens

- ✓ With **slip ring** for ease of installation & positioning

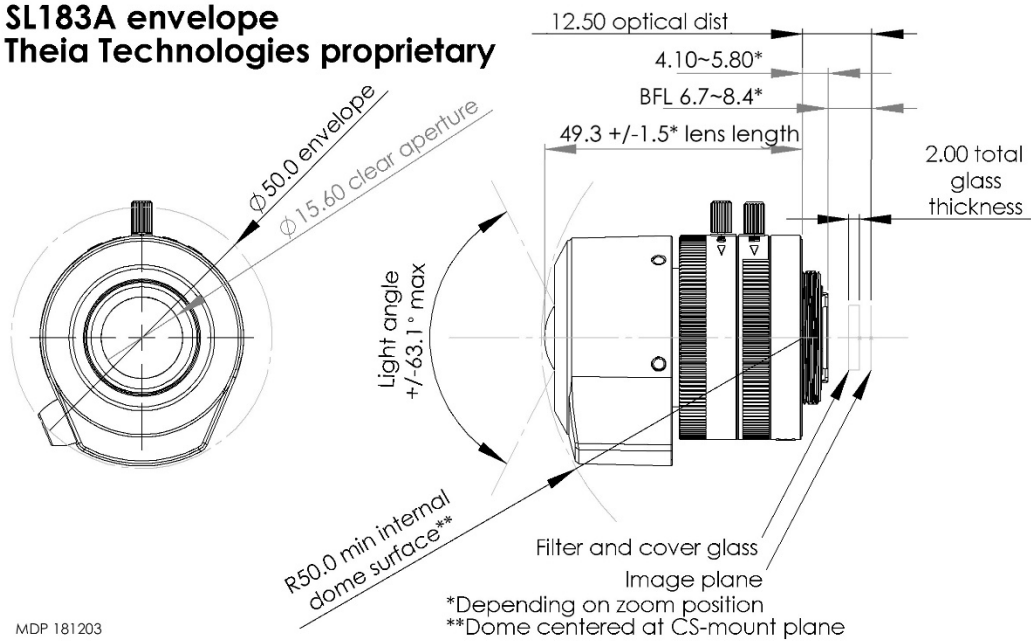
Lenses	SL183A DC-autoiris	ML183A DC-autoiris	SL183M Manual iris	ML183M Manual iris
Focal length	1.8-3.0mm			
Linear Optical Technology®	Yes (Note: this technology causes the image to be flipped)			
Distortion	<1%			
Resolution	5+ megapixel			
F/#	F/1.8 to close			
IR Correction	Day/Night			
Focus range	0.5m to ∞			
EasyZoom™	Yes			
Mount	CS	C	CS	C
Iris cable length	30cm	30cm	N/A	N/A
Operating temperature	-20C to 60C (<70% humidity, non-condensing)			
Storage temperature	-20C to 70C (<90% humidity, non-condensing)			

Sensor size	1/3"	1/2.7" HD	1/2.5"	1/2.3" 4K*
Field of view (H)	105° - 77°	116° - 89°	115° - 88°	120° - 92°
Field of view (V)	90° - 62°	84° - 57°	99° - 71°	104° - 76°
Field of view (D)	117° - 90°	123° - 96°	126° - 100°	130° - 105°

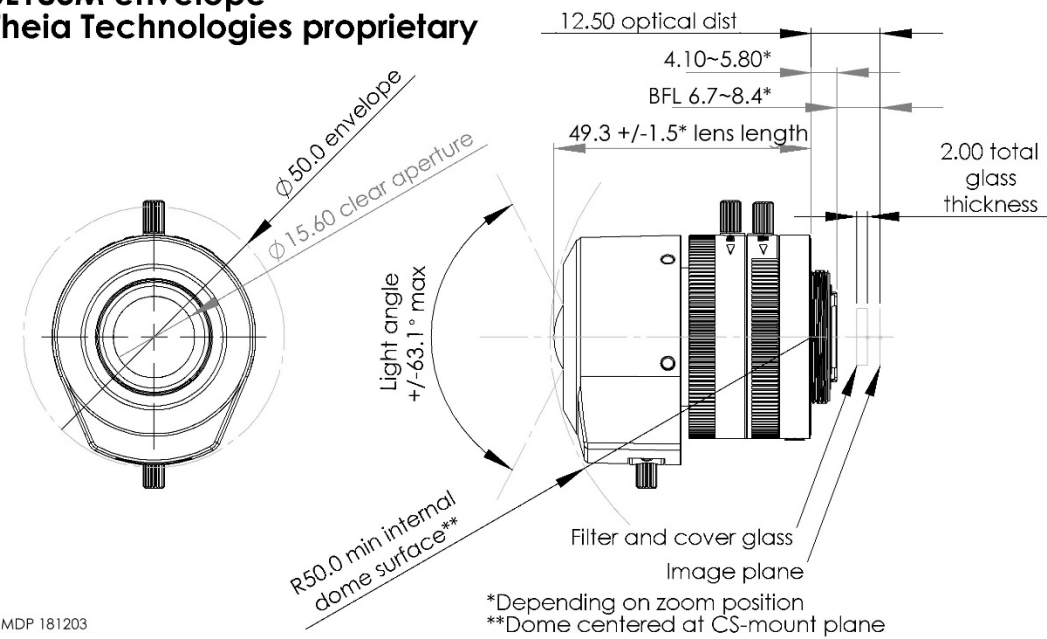
*4K format = 4000 x 2000 pixels

** On 1/2" sensor crop image vertically to eliminate dark corners

SL183A envelope
Theia Technologies proprietary



SL183M envelope
Theia Technologies proprietary



For more information, contact

Theia Technologies
info@TheiaTech.com
www.TheiaTech.com
Phone: +1-503-570-3296