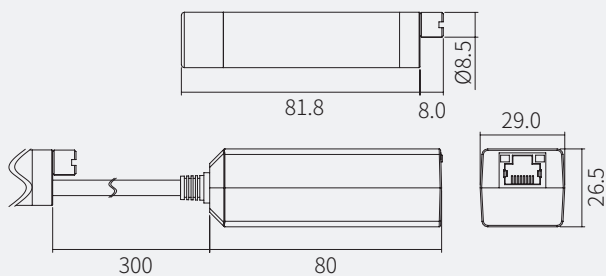


## IP Camera

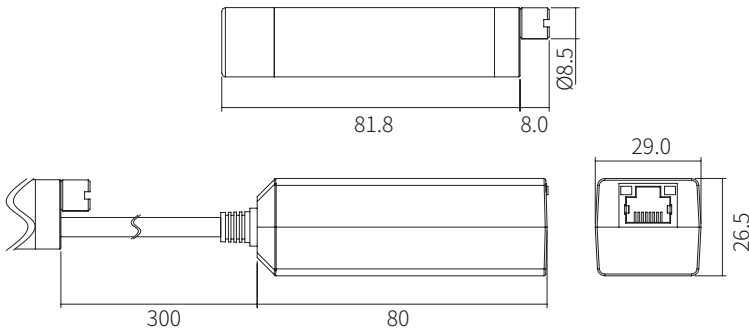
# KNC-HMB6319-iWX

- 1/2.8" 2.13MP Sony STARVIS CMOS
- 1080p(1920x1080)@30(25)fps
- H.264 Main/Baseline Profiles
- Fixed lens 3.6mm
- Electronic Day&Night
- 3D DNR, DSS, BLC, WDR
- 12VDC / PoE
- 2 seconds boot-up complete



# KNC-HMB6319-iWX

## Dimensions



## Specifications

<b>Image Sensor</b>	1/2.8" Progressive Scan SONY STARVIS CMOS	
<b>Effective Pixels</b>	1945(H) x 1097(V)	
<b>Scanning</b>	Progressive scan	
<b>Min.Illumination</b>	0.05Lux(F2.5, DSS Off) / 0.01Lux(DSS On)	
<b>S/N ratio</b>	≤50dB	
<b>Video Output</b>	<b>Network</b>	Network
	<b>Analog</b>	CVBS
<b>Lens</b>	<b>Type</b>	Fixed lens
	<b>Focal Length</b>	3.6mm, F 2.0
<b>Board Lens</b>	<b>Angle of View</b>	-
	2.8mm	-
	3.6mm	112.3 (D)x93.7 (H)x49.3 (V)
<b>Board Lens</b>	6.0mm	62.1 (D)x53.9 (H)x30.1 (V)
	8.0mm	44.8 (D)x39.3 (H)x22.4 (V)
	4.3mm	-
<b>White Balance</b>	Auto, 3000K, 5000K, 8000K	
<b>Dynamic Range</b>	<b>Method</b>	Double Shutter WDR
	<b>Level(dB)</b>	116dB (Estimated)
<b>Electronic Shutter Speed</b>	1/25(30)~1/30,000	
<b>Auto Gain Control(AGC)</b>	Off~69dB	
<b>Day&amp;Night</b>	AUTO/COLOR/B&W (Electronic D&N)	
<b>Digital Slow Shutter(DSS)</b>	OFF~ x32	
<b>Noise Reduction</b>	2D, 3D DNR	
<b>Motion Detection</b>	60x34 Motion Block, upto 4 Zones	
<b>Privacy Masking Zone</b>	16 Zones	
<b>Image Rotation</b>	-	
<b>Lens Distortion Correction (LDC)</b>	-	
<b>Image Stabilization(DIS)</b>	-	
<b>Defog</b>	-	
<b>Alarm</b>	<b>Alarm In/Out</b>	-
	<b>Alarm Triggers</b>	Motion
	<b>Alarm Events</b>	Network

<b>Ethernet</b>	10/100 Base-T Ethernet	
<b>Video Compression Format</b>	H.264 (Baseline, Main), MJPEG	
<b>Video Resolution</b>	1920x1080, 1280x720,, 800x600, 704x480, 704x400, 640x480, 640x360, 320x240	
<b>Max. Frame Rate</b>	First: 1080p 30(25)fps (H.264) Second : 640x360 30(25)fps (H.264) Third : 1080p 30(25)fps (MJPEG)	
<b>Streaming Capability</b>	Multiple Streaming(Up to 3 Profiles)	
<b>Streaming Method</b>	Unicast	
<b>Bitrate Control</b>	H.264 : CBR, VBR, CVBR	
<b>Max.User Access</b>	5	
<b>Audio</b>	<b>Audio in/Out</b>	-
	<b>Compression Format</b>	-
	<b>Communication</b>	-
<b>IP</b>	IPv4	
<b>Protocol</b>	HTTP, HTTPS, UPnP, DNS, DDNS, RTP/RTSP, TCP/IP, UDP, DHCP, RARP, NTP	
<b>Security</b>	-	
<b>Web Viewer</b>	<b>Web browser</b>	Internet Explorer, Edge, Safai, Firefox, Chrome
	<b>Language</b>	English
<b>External Storage</b>	-	
<b>SW Integration API</b>	Onvif, KT&C API	
<b>Ingress Protection Grade</b>	IP67	
<b>Color/Material</b>	Black / AL	
<b>Dimension(mm)</b>	Φ19x81.8mm	
<b>Weight</b>	Approx.85.5g (with PoE Cable)	
<b>Operating Temperature</b>	-10°C~+50°C	
<b>Storage Temperature</b>	-20°C~+60°C	
<b>Vandal Resistance</b>	-	
<b>Supply Voltage</b>	12VDC(±10%) , PoE(IEEE802.3af)	
<b>Power Consumption</b>	12VDC(Max.190mA), PoE (Max.3.0W)	