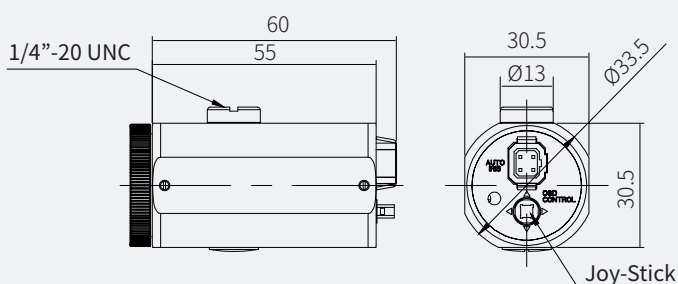


EX-SDI Camera

KTC-HMB7865-H

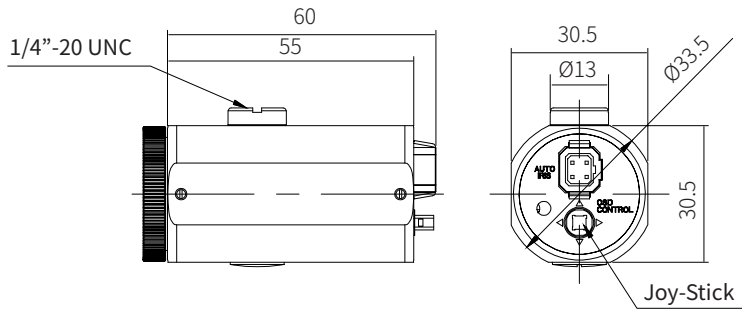
- 1/2.8" SONY EXMOR R Progressive Scan CMOS
- 1080p(1920x1080)@30(25)fps
- HD-SDI(100m@RG59)/EX-SDI1.0(300m@RG59)/CVBS
- C / CS Mount
- Electronic Day&Night
- WDR, 3D DNR, Defog
- Bullet Camera



EX-SDI Camera

KTC-HMB7865-H

Dimensions



Specifications

Image Sensor	1/2.8" SONY EXMOR R Progressive Scan CMOS	Privacy Mask	16 Zones
Effective Pixels	1945(H) x 1097(V)	Image Rotation	OFF/H-FLIP/V-FLIP/HV-FLIP
Max. Video Resolution	HD-SDI/EX-SDI1.0: 1080p@30fps(25fps)/720p@60fps(50fps)/720p@30fps(25fps) TV out: CVBS NTSC/PAL	Defog	OFF/ON(AUTO/MANUAL)
Type	C / CS Mount	Sharpness	Adjustable(0~10)
Lens		OSD control	JOYSTICK
Focal Length	-	Language	English,Chinese,Chinese(s),Janpanese
Angle of View	-	Video Output mode	HD-SDI/EX-SDI1.0/CVBS
Min.Illumination	0.1Lux(F2.0, AGC20dB, DSS:x2)	General	
IR LEDs	-	IP Rating	-
IR Range	-	Operating Temperature	-10°C~+50°C
White Balance	AUTO/PUSH LOCK/MANUAL	Storage Temperature	-20°C~+60°C
Dynamic Range		Dimension(mm)	31(W) x 31(H) x 55(D)
WDR/BLC	OFF/BLC/HLC/WDR	Weight	Approx.113 g
D-WDR	Off/Low/Middle/High	Power Source	12VDC(±10%)
Level	135.6dB	Power Consumption	Max.230mA@12VDC
Electronic Shutter Speed	AUTO/FLICKER/MANUAL/(1/30(25)~1/30,000)	Option	
Digital Slow Shutter(DSS)	OFF~ x32	Power Source	-
Auto Gain Control(AGC)	OFF~42dB	Power Consumption	-
Day&Night	AUTO/COLOR/B&W (Electronic D&N)	Lens	-
Noise Deduction	3D-DNR(OFF/Low/Middle/High)		
Motion Detection	OFF/ON(4 Zones)		