

# PV-WB10i

## Covert DVR in Wi-Fi Booster Design

### Feature

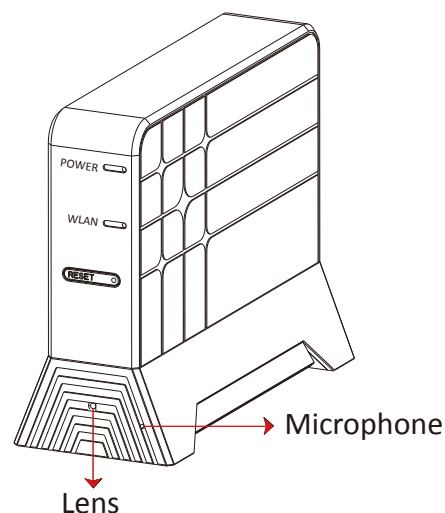
- Built-in Wi-Fi allows you to control, view, and download video from smartphone/tablet
- Built-in IP enables remote control function to operate anywhere in the world using smartphone
- Record at 1080p/720p/WVGA @25/30fps
- Support up to 32G memory card
- Appear as normal Wi-Fi booster with built-in DVR and 2MP camera
- Powered by AV outlet - no batteries needed!  
Can function as Wi-Fi signal booster
- LED indicators for power, charging, IP and recording
- Over-write function;  
hassle free for changing memory card

### Specification

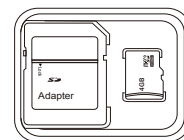
Built-in Camera Module	
Built-in Image Sensor	1/2.9" progressive CMOS sensor
Sensor Resolution	2000x1121
Sensor Sensitivity	0.1 Lux @ F 2.0
Lens F/No.	F 2.0
Focal Length	4.3mm
Angle of View	78.2°
Video Spec.	
Algorithm	H.264, JPEG
File Format	MOV, JPG
Video Recording Mode	Auto/Manual/Motion Detection
Recording Capability	1920x1080, 1280x720, 848x480
Frame Rate	Up to 30 fps
Photo Capability	2M(1600*1200)
Wi-Fi	
Wi-Fi	Built-in Wi-Fi Module(IEEE 802.11b/g/n)
Wi-Fi Protocol	TCP/IP
Storage & I/O	
Memory type	Memory Card ( Support SDHC max. 32GB)
Data Interface	Mini USB 2.0
Misc.	
Date/Time Table	YYYY/MM/DD, HH:MM:SS
Snapshot	recording and playback video ( via smartphone )
Power	
Power Input	AC 100~240V
Charging Output	DC 5V/1A
Recording Time	500min @ 1920x1080 resolution ( 16GB memory card )
Physical	
Dimension	26x110x90 mm



### Product Sketch



### Standard Accessories



DC 5V 2A Charger

Memory Card



USB cable



Adapter Head  
European Standard



Manual

※ Specifications are subject to change without notice

LawMate

LawMate International Law Enforcement & Security Products Manufacturer

Web: www.lawmate.com

Email: sales@lawmate.com.tw

TEL:+886 2 8797-5728

FAX:+886 2 8797-5727