



This Transceiver is designed for high-quality, IP routable, AV extension with zero latency. Each single Transceiver can be configured as either a Transmitter or a Receiver depending on the requirement of installation facility. The 4K@60 high quality video with HDR 10 bits and multi-channel HD Bitstream audio are able to transmit in pass through mode over SFP+ fiber module up to 30km extension.

### PANELS



Front View

Rear View

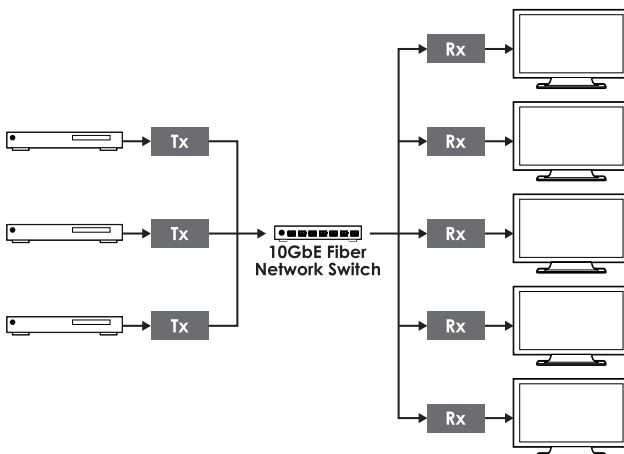
### FEATURES

- Visually lossless compression with zero latency
- Signal transmission interfaces with 10-Gigabit Ethernet switches via a single SFP+ fiber module
- Independent breakaway A/V matrix switching (requires optional control center/software)
- Pass-through of 10/12-bit HDR sources (Genlock modes only)
- Pass-through of audio formats including LPCM (up to 8 channels), Bitstream and HD Bitstream from HDMI sources
- Analog stereo audio extension, insertion and extraction (insertion and extraction requires optional control center/software)
- Supports the use of an external control center or control software to provide expanded functionality (Contact your authorized dealer for more information)

### POINT-TO-POINT CONFIGURATION



### MATRIX CONFIGURATION



### SPECIFICATIONS

| Interfaces                 |  |
|----------------------------|--|
| <b>Input Port</b>          | 1 HDMI (Type-A)<br>1 DisplayPort   |
| <b>Output Port</b>         | 1 HDMI (Type-A)  |
| <b>Bi-directional Port</b> | 1 10GbE LAN (SFP+)   |
| <b>Control I/O</b>         | 1 IR Extender (3.5mm)<br>1 IR Blaster (3.5mm)<br>1 RS-232 (3-pin Terminal Block)<br>1 Ethernet (RJ-45)     |
| <b>Audio</b>               | 1 Unbalanced Stereo (3.5mm)<br>Transmitter: Audio In or Out (depends configuration)<br>Receiver: Audio Out |
| <b>Service Port</b>        | 1 USB (Mini-B)   |

| Video                     |                                     |
|---------------------------|-------------------------------------|
| <b>HDMI Compliance</b>    | HDMI 2.0                            |
| <b>HDCP Compliance</b>    | 2.X                                 |
| <b>Input Signal Type</b>  | 4096x2160p@60 8bit YUV 4:4:4, HDR10 |
| <b>Output Signal Type</b> | 4096x2160p@60 8bit YUV 4:4:4, HDR10 |

| Resolutions           |             |                                  |
|-----------------------|-------------|----------------------------------|
| <b>Maximum Input</b>  | HDMI        | 4096x2160p@60<br>2560x1600p@60RB |
|                       | DisplayPort | 4096x2160p@60<br>2560x1600p@60RB |
| <b>Maximum Output</b> | HDMI        | 4096x2160p@60<br>2560x1600p@60RB |
|                       | Ethernet    | 4096x2160p@60<br>2560x1600p@60RB |

| Audio                  |  |                                   |
|------------------------|--|-----------------------------------|
| <b>Digital Formats</b> | HDMI   | 8CH LPCM, Bitstream, HD Bitstream |
|                        | DisplayPort  | 8CH LPCM, Bitstream, HD Bitstream |
| <b>Analog Formats</b>  | Unbalanced 2 Channel   |                                   |
| <b>Line Level</b>      | Frequency Response: <math>\pm 0.5\text{dB}</math> (20Hz to 20kHz)<br>THD: <math>< 0.02\%</math> (20Hz to 20kHz)<br>S/N Ratio: > 80dB (1kHz with 0dBFS)<br>Crosstalk: <math>< -80\text{dB}</math> (10kHz, $V_{in}=0\text{dBFS}$ ) |                                   |

| Power                    |                  |
|--------------------------|------------------|
| <b>Power Supply</b>      | 12V/3A (Locking) |
| <b>Power Consumption</b> | 25W              |

| Enclosure                 |  |
|---------------------------|--|
| <b>Chassis Material</b>   | Metal (Steel)  |
| <b>Chassis Color</b>      | Black  |
| <b>Dimensions (WxHxD)</b> | 231.5mmx25mmx158mm [Case Only]<br>231.5mmx25mmx166.7mm [All Inclusive] |
| <b>Weight</b>             | 518g   |

|                       |  |
|-----------------------|--|
| Field Firmware Update |  |
| Mini-USB to PC        |  |

### ORDERING INFORMATION

| Model No.         | Product Description                           |
|-------------------|---|
| <b>COH-TR6L</b>   | UHD+ 2x1 HDMI/DP to IP AV over IP Transceiver |
| <b>CDPS-CS7-S</b> | IP Master Controller (SDVoE)                  |

DIAGRAM

