

CBL-FU400

USB3.2 Gen2 10Gbps Type-A to Type-C Active Optical Cable

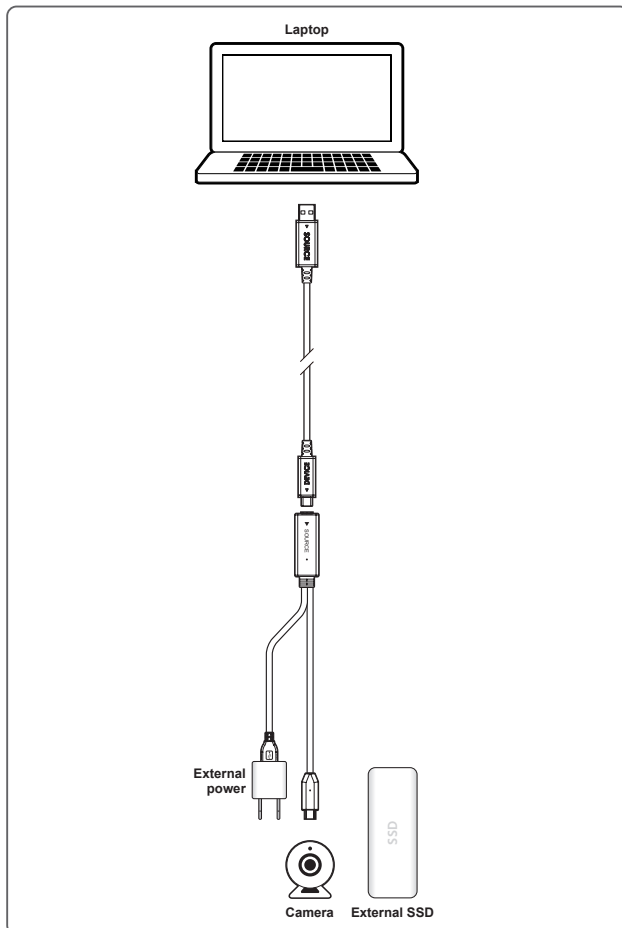


PRODUCT OVERVIEW

In post-pandemic era, the needs of conference meeting keep growing. This active optical cable can connect with USB-C camera and transfer 4K@30hz images in data format. It is one way transmission, with “source” and “device” marked on connectors. It can transfer data with 10Gbps speed for up to 40M. 1W power can be delivered to connected device over the cable under 20M. 40m cable requires external power. With a Pigtail*, an optional extra, the cable can be powered for 4.5W externally.

*Note: When using a Pigtail, the data transfer speed will decrease to 5Gbps.

DIAGRAM



FEATURES

- Support USB3.2 Gen 2 10Gbps bandwidth
- Comply with USB2.0 data rate
- Optional Pigtail to supply 4.5W external power

SPECIFICATIONS

Signal Support

USB Standards	USB3.2
Data Rate	10Gbps
Connector	USB Type-A to Type-C Connector

Physical Properties

Op. Temp.	0°C to 50°C
Humidity	0% to 85% RH
Bending Radius	60mm
Pulling Force	4kg

ORDERING INFORMATION

Model No.	Product Description
CBL-FU400-020	USB3.2 Gen2 10Gbps Type-A to Type-C Active Optical Cable, 20M
CBL-FU400-040	USB3.2 Gen2 10Gbps Type-A to Type-C Active Optical Cable, 40M
CBL-PTL	USB3.2 Gen1 5Gbps pigtail for external power