

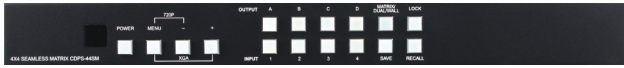
CDPS-44SM

HDMI 4x4 Seamless Matrix Switcher



The 4 by 4 HDMI Seamless Matrix Switcher allows the signal from 4 different input sources to be freely selected and arranged on 4 displays (TV or monitor), providing four output modes (Matrix, Dual PoP/ PiP, Quad and TV Wall) for various applications. Matrix mode routes the source signals to output displays as regular matrix does, Dual mode allows 2 sets of 2 selected sources to show on designate output displays with PoP and PiP method and TV Wall mode extends a selected source to display on all 4 output displays as one. The device supports video timings up to WUXGA@60RB and 1080p@60Hz, audio format up to 7.1CH LPCM at 192kHz sampling rate based on input source EDID. For all the operation/control can be done through IR, remote control, Telnet, WebGUI, RS-232 or front panel buttons.

PANELS

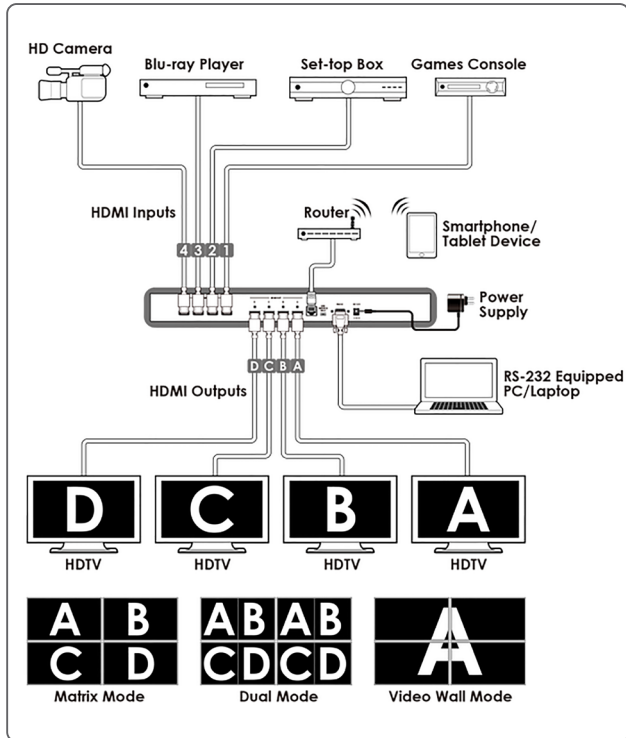


Front View



Rear View

DIAGRAM



FEATURES

- Seamless switching
- Supports four different modes: Matrix mode/ Dual mode/ Quad / TV Wall mode
 - Matrix mode: Seamless switching 4 x 4.
 - Dual mode: 2 sources PiP or PoP on both outputs
 - Quad mode: all sources in quad view on one display
 - TV Wall mode: Can output any source to 4 displays (2 by 2 Video wall) with adjustable Bezel Correction
- Supports OSD, RS232, Telnet, WebGUI, Remote control and on-panel controls
- Input resolutions support VGA~WUXGA and 480i~1080p
- Output resolutions support 480p~1080p
- Supports different input resolution and output resolution selectable from OSD menu. The factory default value for the output resolution is 720p@60Hz/ 2CH LPCM
- Audio supports LPCM 2CH, 6CH, 8CH/AC3/DTS/Dolby Digital Plus/ Dolby TruHD & DTS-HD

SPECIFICATIONS

Interfaces

Input Port	4 HDMI (Female type) 1 USB (Service only)
Output Port	4 HDMI (Female type)

Video

HDMI Compliance	HDMI 1.3 (DVI 1.0)
HDCP Compliance	HDCP 1.4
Input Signal Type	1080p60 12-bit
Output Signal Type	1080p60 12-bit

		Resolutions
Maximum Input	HDMI	1920×1080p@60 1920×1200p@60RB
Maximum Output	HDMI	1920×1080p@60 1920×1200p@60RB

Power

Power Supply	12V/3A DC (US/EU standards, CE/FCC/UL certified)
Power Consumption	15W

Enclosure

Chassis Material	Aluminum
Chassis Color	Black
Dimensions (W×H×D)	436mm x 44mm x 247mm
Weight	2200g

Field Firmware Update

USB

ORDERING INFORMATION

Model No.	Product Description
CDPS-44SM	HDMI 4x4 Seamless Matrix Switcher