



CPRO-2E/4E/8E

1 by 2 / 1 by 4 / 1 by 8 HDMI Splitter



Operation Manual

HDMI®
HIGH-DEFINITION MULTIMEDIA INTERFACE

The terms HDMI, HDMI High-Definition Multimedia Interface, and the HDMI Logo are trademarks or registered trademarks of HDMI licensing Administrator, Inc.

DISCLAIMERS

The information in this manual has been carefully checked and is believed to be accurate. Cypress Technology assumes no responsibility for any infringements of patents or other rights of third parties which may result from its use.

Cypress Technology assumes no responsibility for any inaccuracies that may be contained in this document. Cypress also makes no commitment to update or to keep current the information contained in this document.

Cypress Technology reserves the right to make improvements to this document and/or product at any time and without notice.

COPYRIGHT NOTICE

No part of this document may be reproduced, transmitted, transcribed, stored in a retrieval system, or any of its part translated into any language or computer file, in any form or by any means—electronic, mechanical, magnetic, optical, chemical, manual, or otherwise—without express written permission and consent from Cypress Technology.

© Copyright 2018 by Cypress Technology.

All Rights Reserved.

TRADEMARK ACKNOWLEDGMENTS

All products or service names mentioned in this document are trademarks of the companies with which they are associated.



SAFETY PRECAUTIONS

Please read all instructions before attempting to unpack, install or operate this equipment and before connecting the power supply. Please keep the following in mind as you unpack and install this equipment:

- Always follow basic safety precautions to reduce the risk of fire, electrical shock and injury to persons.
- To prevent fire or shock hazard, do not expose the unit to rain, moisture or install this product near water.
- Never spill liquid of any kind on or into this product.
- Never push an object of any kind into this product through any openings or empty slots in the unit, as you may damage parts inside the unit.
- Do not attach the power supply cabling to building surfaces.
- Use only the supplied power supply unit (PSU). Do not use the PSU if it is damaged.
- Do not allow anything to rest on the power cabling or allow any weight to be placed upon it or any person walk on it.
- To protect the unit from overheating, do not block any vents or openings in the unit housing that provide ventilation and allow for sufficient space for air to circulate around the unit.
- Please completely disconnect the power when the unit is not in use to avoid wasting electricity.

VERSION HISTORY

REV.	DATE	SUMMARY OF CHANGE
VS1	2012/10/16	First Release
VR2	2013/03/07	STD EDID Spec.

CONTENTS

1. Introduction	1
2. Applications	1
3. Package Contents	1
4. System Requirements	1
5. Features	1
6. Operation Controls and Functions	2
6.1 Front Panel.....	2
6.2 Rear Panel.....	3
7. Connection Diagram	4
8. Specifications	5
9. Acronyms	6





1. INTRODUCTION

This range of high performance HDMI splitters provide one HDMI in to two, four or eight HDMI outputs and supports 4K×2K, 3D, 12-bit Deep Color as well as High Definition Lossless Audio. With its 9Gbps bandwidth and the additional features of the latest HDMI standards you can be sure of great HDMI distribution.

2. APPLICATIONS

- Simultaneously display one HDMI source on 2, 4 or 8 TVs/projectors
- Showroom display
- University lecture hall display
- Retail sales display
- Commercial presentation switcher/scaler

3. PACKAGE CONTENTS

- 1×1 by 2 / 1 by 4 / 1 by 8 HDMI Splitter
- 1×5 V DC Power Supply Adaptor
- Operation Manual

4. SYSTEM REQUIREMENTS

- HDMI equipped source devices such as a DVD/Blu-ray play with HDMI cables or DVI to HDMI cables
- HDMI equipped displays (TVs or monitors) with HDMI cables

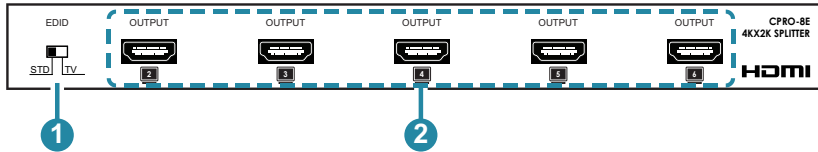
5. FEATURES

- Supports HDTV resolutions up to 4K×2K/30 Hz
- HDMI and DVI compatible
- Supports 1080p@60Hz, Deep Color 12-bit
- Supports LPCM 7.1CH, Dolby TrueHD, and DTS-HD Master Audio
- Supports 3D

6. OPERATION CONTROLS AND FUNCTIONS

6.1 Front Panel

Example Shown: 1 by 8 HDMI Splitter



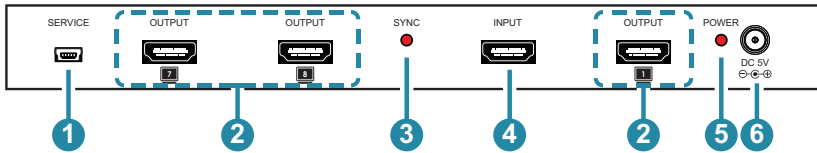
- 1 EDID STD/TV:** The default factory setting is TV, when in this mode, the unit will detect the first HDMI output source's EDID settings and record in the unit's memory. If there are any audio or video issues then switch the unit to STD mode and power cycle it, the device will scan input source's EDID and provide the highest common settings to output displays.

Note: This function is not available in the 1×2 model

- 2 HDMI OUTPUT**
 Connect each of the output ports to the HDMI display for simultaneous HDMI distribution.

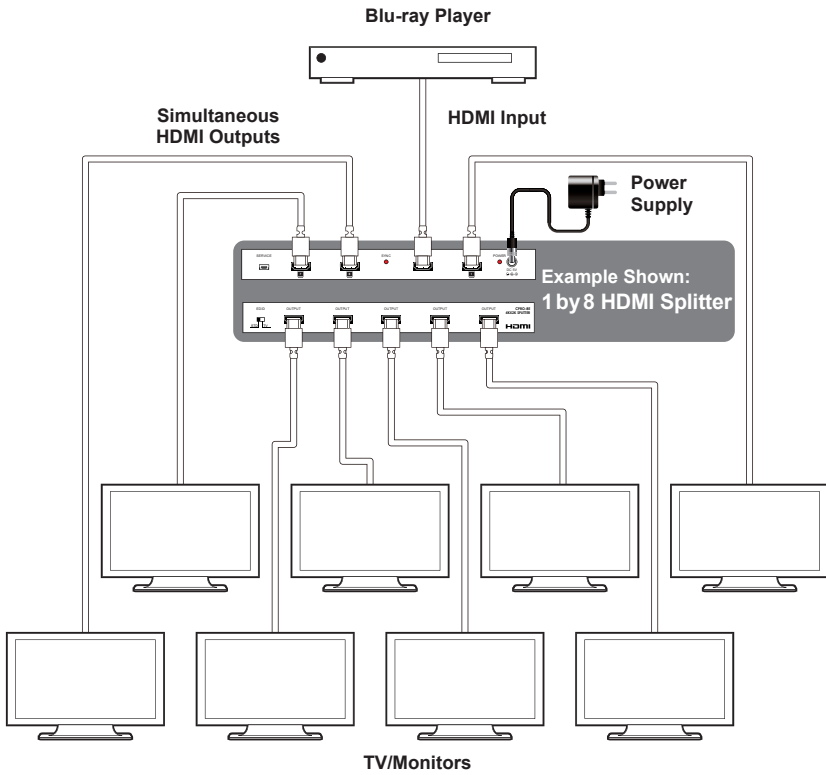
6.2 Rear Panel

Example Shown: 1 by 8 HDMI Splitter



- 1 SERVICE:** Manufacturer use only.
- 2 HDMI OUTPUT:** Connect each of the output ports to the HDMI display for simultaneous HDMI distribution.
- 3 SYNC LED:** The LED will illuminate when the HDMI source signal is connected to the input port.
- 4 HDMI INPUT:** Connect the input port to the HDMI or DVI output of your source equipment such as DVD player or set-top box.
- 5 POWER LED:** The power LED will illuminate when the unit is powered.
- 6 DC 5V:** Connect the 5V DC power supply into the splitter and Plug the adaptor to AC wall outlet.

7. CONNECTION DIAGRAM



8. SPECIFICATIONS

Video Bandwidth	300 MHz/9 Gbps
Input Port	1×HDMI (Female connector) 1×USB (Manufacturer use only)
Output Ports	2, 4 or 8×HDMI (Female connector)
Output Resolution	480i~1080p@50/60, 1080p@24/50/60, VGA~UXGA, 4K×2K@30
ESD Protection	Human body model: ±8kV (air-gap discharge) ±4kV (contact discharge)
Dimensions	103 mm (W)×155 mm (D)×25 mm (H)/2E 142 mm (W)×105 mm (D)×38 mm (H)/4E 240 mm (W)×110 mm (D)×30 mm (H)/8E
Weight	298 g/2E 378 g/4E 710 g/8E
Chassis Material	Metal
Silkscreen Color	Black
Operating Temperature	0 °C~40 °C/32 °F~104 °F
Storage Temperature	-20 °C~60 °C/-4 °F~140 °F
Relative Humidity	20~90% RH (non-condensing)
Power Consumption	2.85 W/2E 3.3 W/4E 9.8 W/8E

Note: When displaying a 3D signal with a higher bandwidth than 225 MHz or a 4K×2K resolution source, a High Speed HDMI cable is required.

9. ACRONYMS

ACRONYM	COMPLETE TERM
4K×2K	3840×2160
HDMI	High-Definition Multimedia Interface
HDTV	High-Definition Television



CYPRESS TECHNOLOGY CO., LTD.
www.cypress.com.tw
