

Specifications

NAV E 201 D

TRUE 4K specification

Max. 4K Capabilities		
Resolution and Refresh Rate	Chroma Sampling	Max. Bit Depth per Color
4096x2160 at 60 Hz ¹	4:4:4	8 bit
3840x2160 at 60 Hz		
4096x2160 at 30 Hz		
3840x2160 at 30 Hz		
4096x2160 at 60 Hz	4:2:0	10 bit
3840x2160 at 60 Hz		

Frame rate² 24, 25, 30, 50, or 60 fps

Chroma sampling² 4:4:4, 4:2:2, or 4:2:0

Color bit depth² 8, or 10 bits per color

Signal type DVI v1.0, HDMI v1.4 and v2.0, HDCP v1.4 and v2.3

Max. video data rate 18 Gbps (6 Gbps per color)

NOTE: ¹4096 x 2160 @ 50-60 Hz is available only for HDMI connectors.

NOTE: ²Subject to the maximum data rate limit. Use our calculator at www.extron.com/8Kdataarate to determine video parameters supported by this data rate.

Video input and loop through

NOTE: *Appropriate DVI-D to HDMI or DisplayPort to HDMI cables or adapters are required for DVI or DisplayPort signal input.

Number/signal type 1 digital HDMI video*

1 digital HDMI video (loop through)

Connectors 2 female HDMI type A: 1 for input, 1 for loop through

Resolution range Up to 4K (4096x2160 at 60 Hz) and UHD (3840x2160 at 60 Hz)

Standards DVI v1.0, HDMI v1.4 and v2.0, HDCP v1.4 and v2.3

Video processing

Digital sampling 8 or 10 bits per color; 600 MHz pixel clock maximum

Compression PURE3®

Bit rate 250 Mbps to 900 Mbps

Latency <1 frame (encode/decode)**

NOTE: **Indicates minimum latency. Network and video processing dependencies apply.

Specifications • NAV E 201 D (Continued)

Video output stream

Number/signal type.....	1 PURE3 digital video over IP
Connector.....	1 RJ-45 connector

Audio

Sampling rates.....	32, 44.1, 48 kHz
Bit depths	16, 20, 24 bit

Audio input

Number/signal type.....	1 digital stereo, de-embedded from HDMI
Connectors.....	1 female HDMI type A (shared with video input)
Supported formats.....	LPCM (2 channel)

Audio output stream

Number/signal type.....	1 audio over IP LPCM 1 audio over IP AES67*
Connector.....	1 RJ-45 connector

NOTE: *AES67 specifications are compatible with the Extron DSPs.

Network interconnection (NAV)

Connector type.....	1 RJ-45
Ethernet standards	1GbE (802.3ab), 10/100/1000 Base-T, half/full duplex with autodetect
Termination	Auto-MDIX, TIA/EIA T568B
Power over Ethernet (PoE)	Complies with IEEE 802.3at Type 2 (PoE+), class 4
Protocols	
Streaming.....	SRTP (AES-128) on video and audio
Transport.....	Multicast UDP
All supported.....	DHCP, HTTPS, IGMPv2/v3, IPv4, PTPv2, QoS, SSH, TCP, UDP
Security	AES-256, 802.1X, Active Directory authentication
Signal transmission distance	330' (100 m) using CAT 5e/6/6a/7 cables

Communications - external devices

Serial	
Quantity/type.....	1 bidirectional RS-232
Connector	(1) 3.5 mm captive screw connector, 5 pole (shared with IR port)
Baud rate and protocol.....	300 to 115200 baud (9600 baud = default) 8 (default) or 7 data bits 1 (default) or 2 stop bits no parity (default), even or odd parity
Pin configuration.....	Tx, Rx, and Gnd
IR control	
Quantity/type.....	1 TTL level (0 to 5 V) infrared (carrier and non-carrier) up to 300 kHz
Connector	(1) 3.5 mm captive screw connector, 5-pole (shared with RS-232)
Pin configuration.....	S = signal and G = Gnd
IR output carrier frequency	30 kHz to 300 kHz
USB configuration port	
Quantity/type.....	1 front panel USB mini-B
Standard	Ethernet over USB

Specifications • NAV E 201 D (Continued)

General

Power supply	External
	Input: 100-240 VAC, 50-60 Hz
	Output: 12 VDC, 2.0 A, 24 watts

NOTE: Each 1G endpoint can be powered either locally by an external power supply or remotely using optional PoE+.

Power consumption

Device	19.5 watts
Device and power supply	22.1 watts
PoE	Complies with IEEE 802.3at Type 2 (PoE+), class 4

Temperature/humidity Storage: -40 to +158 °F (-40 to +70 °C) / 10% to 90%, noncondensing
Operating: +32 to +104 °F (0 to +40 °C) / 10% to 85%, noncondensing

Cooling Fan, air flows from bottom to top

Thermal dissipation

Device	65.6 BTU/hour
Device and power supply	74.4 BTU/hour
Device with PoE	73.4 BTU/hour

Mounting

Rack mount.....	No
Furniture or wall mount.....	Yes, in a standard US 3-gang electrical junction box or mud ring.

Enclosure type Metal

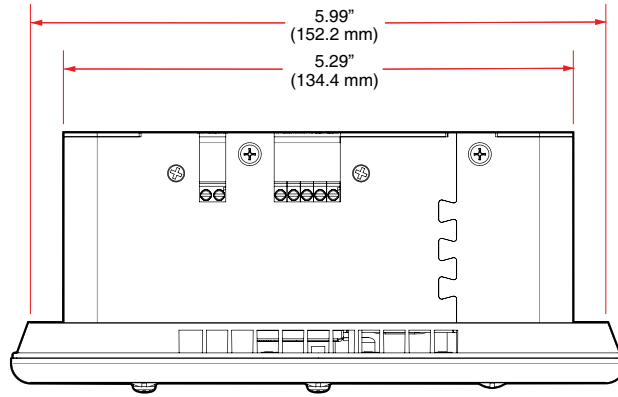
Specifications • NAV E 201 D (Continued)

Enclosure

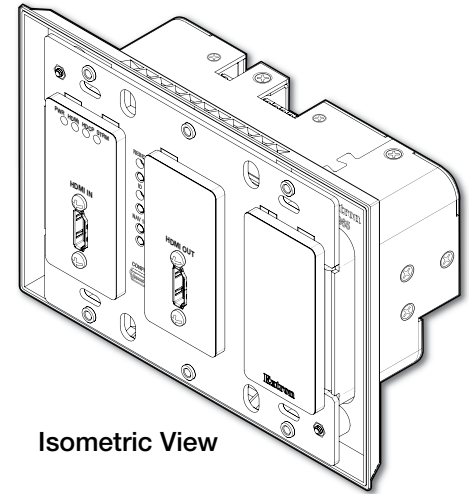
Faceplate	4.5" H x 6.4" W x 0.72" D (11.4 cm H x 16.3 cm W x 1.82 cm D)
Device	2.72" H ¹ x 5.29" W x 1.81" D ² (6.9 cm H ¹ x 13.4 cm W x 4.6 cm D ²)

NOTE: ¹ Overall height is 4.1" (10.4 cm) including mounting tabs

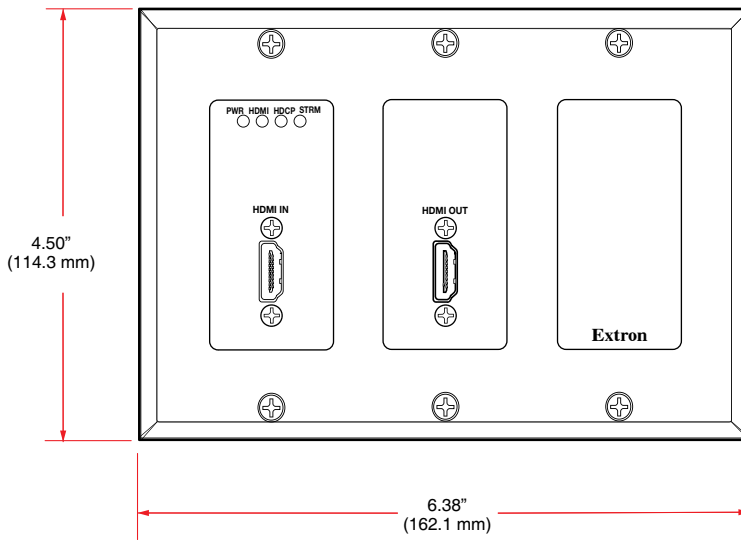
NOTE: ² Depth excludes connectors. Fits the openings in a 3-gang decorator-style wallplate.



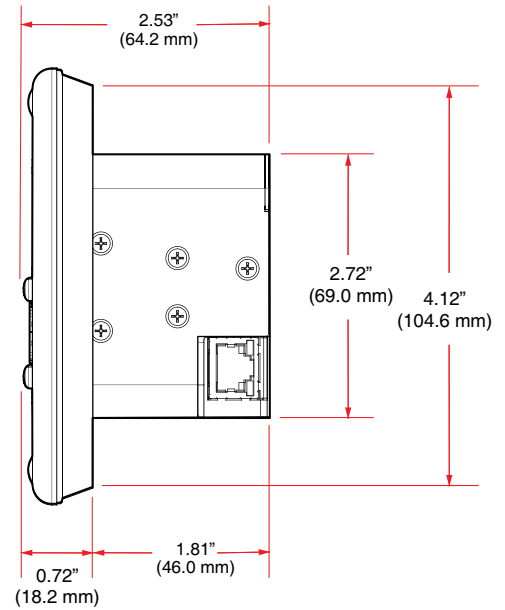
Top View



Isometric View



Front View



Side View

Product weight	1.5 lbs (0.68 kg)
Regulatory compliance.....	CE, c-UL UL,C-tick, FCC Class A, ICES, KC, VCCI, Complies with the appropriate requirements of RoHS, WEEE
Product warranty	3 years parts and labor
Everlast power supply warranty.....	7 years parts and labor

Specifications • NAV E 201 D (Continued)

NOTE: All nominal levels are at $\pm 10\%$.

NOTE: Specifications are subject to change without notice.

NOTE: Shipping weights and dimensions are available at www.extron.com.

5816-D4