

# WAT-08U2 (G3.6)

1/2.8" Ultra-compact USB2.0 Full HD Color Camera

Released in Summer 2023

Ultra-compact design enables the camera to be installed anywhere from surveillance to embedded applications

**NEW**

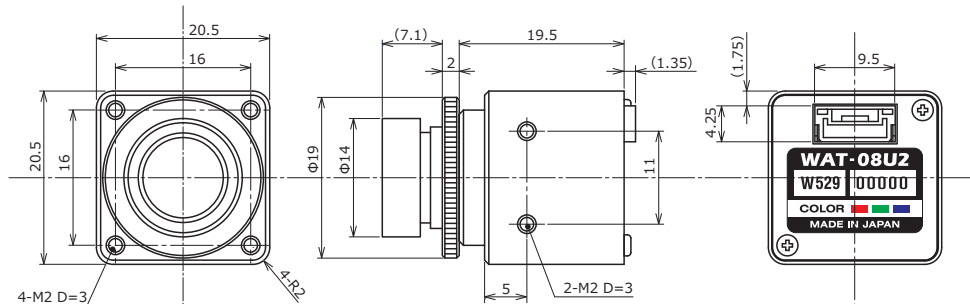


\*NO CE & FCC

## Key features

- 1/2.8-inch CMOS sensor with high quality video output at 30fps in Full HD
- USB Video Class & USB Bus Power (plug & play)
- Lens fixing ring prevents misalignment of focus
- Ideal for embedding due to the special designed USB connector reduces depth
- Various optional M12 lenses available \*Std. lens: G3.6

## Dimensions



## Specifications

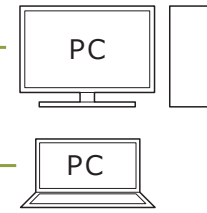
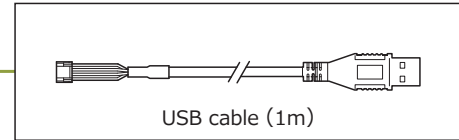
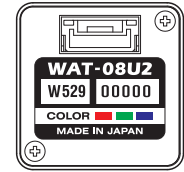
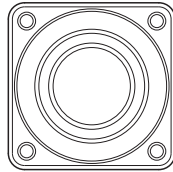
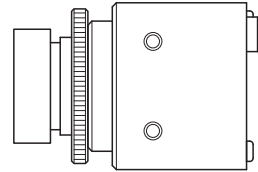
|                                   |  |  |
|-----------------------------------|--|--|
| Pick-up element                   | 1/2.8 inch CMOS image sensor                               |  |
| Number of effective pixels        | 1945(H) × 1097(V)  |  |
| Unit cell size                    | 2.9µm(H) × 2.9µm(V)  |  |
| Imaging system                    | RGB primary color bayer arrangement mosaic filters on chip |  |
| Synchronizing system              | Internal   |  |
| Scanning system                   | Progressive  |  |
| Output size                       | 1920x1080, 1280x720, 640x480, 320x240                      |  |
| Max. frame rate                   | 30 fps   |  |
| Video compression                 | MJPEG, YUY2  |  |
| Video output                      | USB Video Class (Compatible)                               |  |
| Resolution (H)                    | More than 900 (Center)                                     |  |
| Minimum illumination              | 0.3 lx F2.0 (AGC ON=36dB, Shutter=OFF)                     |  |
|                                   | 0.07 lx F2.0 (AGC ON=36dB, Shutter=1/7.5 sec.)             |  |
| S/N                               | -  |  |
| Function settings                 | Camera Viewer  |  |
| AE mode                           | Fixed  | 1/15, 1/7.5, 1/4 sec.  |
|                                   |  | 1/30, 1/60, 1/120, 1/250, 1/500, 1/1000, 1/2000, 1/4000, 1/8000 sec. |
|                                   | EI   | 1/30 - 1/8000 sec.<br>1/7.5 - 1/8000 sec.                            |
| White balance                     | ATW, MWB   |  |
| AGC                               | ON   | 0 - 36dB   |
|                                   | OFF  | -  |
| MGC                               | 0 - 72dB (1dB step)  |  |
| Gamma characteristics             | γ±USER (Level adjustable)                                  |  |
| Noise reduction                   | -  |  |
| Wide dynamic range                | -  |  |
| Lens iris                         | -  |  |
| Back light compensation           | BLC  |  |
| White blemish correction          | -  |  |
| Sharpness                         | Level adjustable   |  |
| Defog                             | -  |  |
| Digital zoom                      | ×1, ×1.38, ×2.25 *1  | ×1, ×1.2, ×1.5 *2  |
| Privacy mask                      | -  |  |
| Mirror image                      | -  |  |
| Freeze                            | -  |  |
| Motion detection                  | -  |  |
| Neg.image                         | -  |  |
| Interface                         | USB (High speed)   |  |
| Power supply                      | USB +5V  |  |
| Power consumption                 | 0.75W (150mA)  |  |
| Operating / Storage Temperature   | -10 - +50°C / -30 - +70°C                                  |  |
| Operating / Storage Humidity      | 95% RH or less (Without condensation)                      |  |
| Lens mount                        | M12 P=0.5  |  |
| Standard lens                     | M3620BC-12 (f3.6 F2.0)                                     |  |
| Cable length                      | 1.0m (Max. 3.0m)   |  |
| Weight                            | Approx. 18g  |  |
| Accessories                       | USB cable (USB2.0 Standard-A), M12 Lens Fixing Ring        |  |
| Recommended System Specifications | CPU  | Intel® Core TM i Series  |
|                                   | RAM  | 2GB or larger  |
|                                   | Others   | USB2.0 Port, 1920×1080 or better resolution display                  |
| Operation Confirmed OS            | Windows 10 32bit/64bit, Windows 11, Android 4.0 or later   |  |

\*1: Output format: 640x480 \*2: Output format: 1280x720

Accessories Options

- Miniature lenses
- M2520BC-12
  - M2920BC-12
  - M3620BC-12 (Standard)
  - M0620BC-12
  - M1625BC-12

**WAT-08U2 (G3.6)**



\*Water Camera Viewer recommended  
Download from Water website

