



DisplayPort 1.4 One (1) fiber optical extender additional extension DPFX-1F14-TR

Description

DisplayPort 1.4 one (1) fiber optical detachable extender with copper extension, DPFX-1F14-TR, extends DisplayPort 1.4 signal up to 200m (656feet) and transmits up to 8K DSC(7680x4320) at 60Hz over one (1) LC multi-mode fiber(OM3). Cutting-edge technology of Opticis reduces limits in installation by providing an option for longer additional extension.

DPFX-1F14-TR transmit uncompressed and transparent data signal even when used with up to 3m copper cable as an intermediary. This enables installation of the product in the limited spaced area. 2m copper cable is provided in the shipping group.

Furthermore, to meet all the needs of the customers, DPFX-1F14-TR is fully interoperable with using DPFX-700-TR and DPFX-300-TR. Depending on the circumstances, customer can choose to use direct connection type module on one side, and additional extension type module on the other side.

DPFX-1F14-TR gives slim, light, and easy installation with perfect electrical isolation, but without electrical hazard and interference. It is operated external DC power adapter.

Specification

- Supports DisplayPort 1.4 standards
- Extends up to
 - 8K DSC(7680x4320) at 60Hz
 - 4K(3840x2160) at 144Hz
- Transmits DisplayPort 1.4 data up to 200m (656feet) over one (1) LC multi-mode fiber (OM3)
- Extra additional extension available up to 3m on each side (TX/RX)
- Offers total data rate 32.4 Gbps (8.1 Gbps per lane)
- Supports Multi-Stream Transport
- Plug & Play
- Data security with negligible EMI emission
- Label color distinction: TX (purple heart) & RX (red violet)
- Certifies FCC and CE standards for EMI/RFI emission

Applications

- Medical imaging
- Military
- Digital Signage
- Control room
- Rental staging
- Flight Simulation

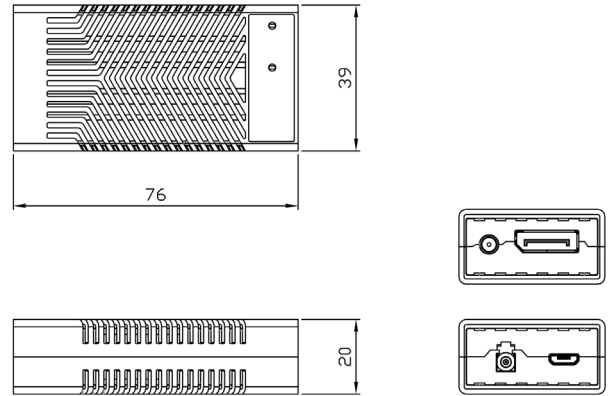
DisplayPort 1.4 One (1) fiber optical extender with additional extension

DPFX-1F14-TR

Technical Features

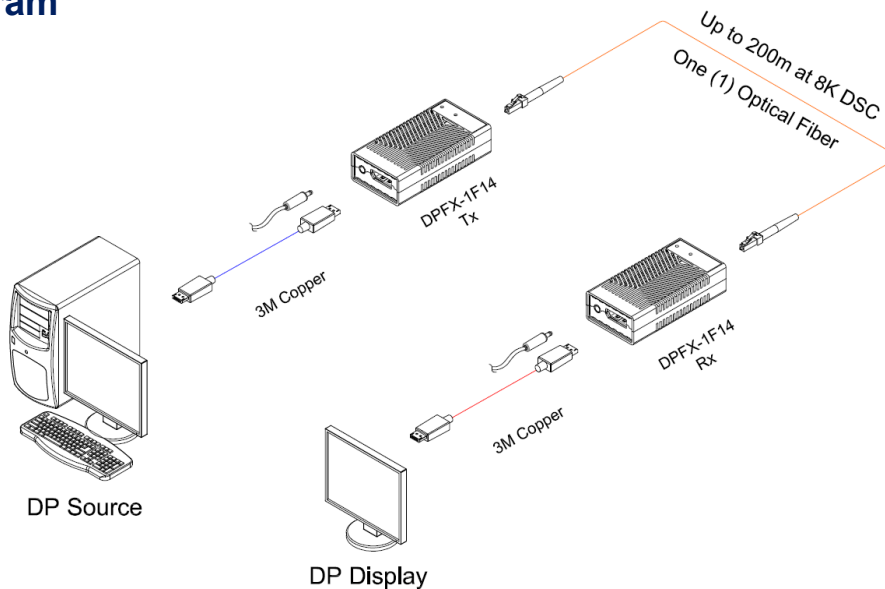
Resolution	Up to 8K DSC(7680x4320) at 60Hz
Bit rate	Up to 8.1 Gbps/lane
Maximum distance	Up to 200m (656feet)
Fiber type	1 LC multi-mode fiber (OM3)
Power supplying	External DC power 5V/1A
LED Indicators	TX: power, signal transmission RX: power, signal detection
Power consumption	< 2.5W
Operating temperature	0°C to 50°C
Operating humidity	10~85% RH (non-condensing)
Size (LWH)	39 x 76 x 20 mm

Dimension [mm]



Size (LWH): 39 x 76 x 20mm

Connection Diagram



Opticis Co., Ltd.

3F, 305, Sanseong-daero, Sujeong-gu
Sungnam-si, Gyeonggi-do, 13354 South Korea

Tel: +82 (31) 719-8033
tosales@opticis.com

Fax: +82 (31) 719-8032
www.opticis.com



All contents are subject to be changed without prior notice.