

Appearance

OBSBOT Tail

Black / Red

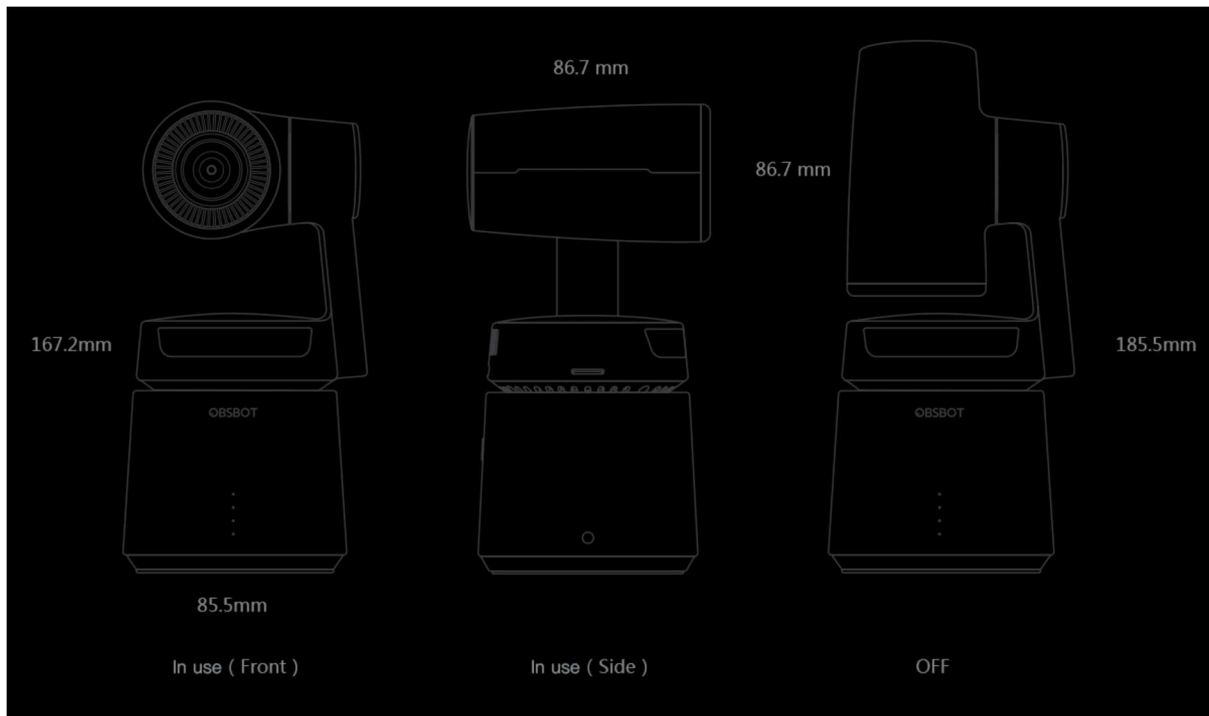


Dimensions & Weight

Open State : 167.2 x 86.7 x 85.5mm

Close State : 185.7 x 86.7 x 85.5mm

Weight : 610g (with battery)



AI chip

Architectural capability

5TOPS

Camera

Camera model : F126S

Image sensor : 1/2.3" CMOS SENSOR

Macro pixel : 1.55um

Effective pixels : 12.40MP

Effective pixel resolution : 12MP

Lens system : 10 optical lens sets (including 4 HOYA aspherical optical lenses)

Zoom range : 3.5x optical zoom, 10x hybrid zoom, 21-74mm equivalent focal length

ISO range : 100-6400

Electronic shutter speed : 1/8000-1/30 (Follow-up support for long exposure)

Focus : AFS、 AFC

Video shooting

Video resolution :

4K Video 60/50/48/30/25/24 fps

2.7K Video 60/50/48/30/25/24 fps

1080p Video 60/50/48/30/25/24 fps

720p Slow motion 240/120 fps

1080p Slow motion 240/120 fps

Recording modes : Normal video, slow motion, time lapse, and smart shooting

Video coding : H264, H265

Max video storage bit rate : H264 : 80Mbps, H265 : 80Mbps

Video format : MP4

Audio input (Analog A13: B41MIC)

3-axis gimbal

Angle Jitter: $\pm 0.05^\circ$

Gimbal installation : Non-removable

Controllable range : Pan: Unrestricted; Tilt: $-50^\circ \sim +50^\circ$; Roll: $-45^\circ \sim +135^\circ$

Structurally possible range : Pan: Unrestricted; Tilt: $-90^\circ \sim +90^\circ$; Roll: $-135^\circ \sim +135^\circ$

Max control speed: Pan 180°/s

Wi-Fi

Operating frequency : 2.4G/5.8GHZ

Signal transmission range : 2.4G 80m, 5.8G 140m

Transmission power : 2.4G 14dBm, 5.8G 13dBm

Outer charging port & Contact interface

01 Lens

02 Camera indicator

03 Cooling intake

04 Battery indicator

05 Cooling outlet

06 Micro SD slot

07 Type-C data port

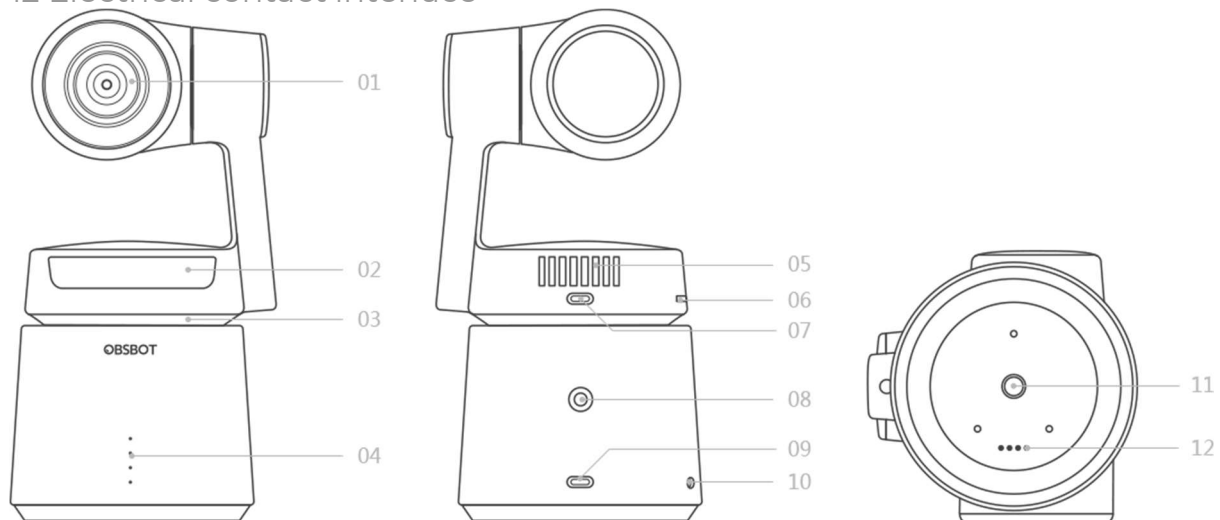
08 Power/Status button

09 Magnetic charging port

10 Microphone port

11 UNCl/4-20 nut connection

12 Electrical contact interface



Charger & Battery²

Charger model: A824A

Input: 100-240V, 50/60Hz

Output: 5V3A, 9V2A, 12V1.5A

Quick charge protocol: Qualcomm QC Fast Charge Protocol 2.0 and above
Charging time: Fast charging (12V/1.5A) - 90 minutes, standard charging (5V / 2A) - 160 minutes

Battery mode: OBS-LI-TWS-0001

Battery type: LiPo

Battery capacity: 1850mAh

Battery energy: 20.54Wh

Battery voltage: 11.1V

Battery life:

4KP60 : 95min

4KP30 : 111min

1080P60 : 100min

1080P30 : 120min

Less than 5% power,

OBSBOT will automatically enter the shutdown protection state.

Auxiliary functions

Power gesture, Launch pad auxiliary operation (supported in APP)

Auxiliary app³



Obsbot Studio

Support download system: iOS9.0 or Android6.0 and above

Memory card type

Support type: Micro SD, Class10 and above or UHS-1rating, write speed \geq 15MB/s, maximum support 256GB (only fat32)

Operating environment

Camera working environment temperature: 0°C-40°C

Battery charging ambient temperature: 0°C-40°C

Battery operating ambient temperature: 0°C-40°C

Voice version

Language: English, Chinese(Simplified)

Package content

OBSBOT Tail camera x1

Type-C charging cable x1

Equipment storage box x1

Quick start guide x1

Warranty card x1

1: Actual size and weight may vary depending on configuration and manufacturing process.

2: All battery performance information depends on camera AI settings and many other factors, and actual results may vary. Battery life and number of charge cycles may vary depending on usage and settings.

3: Availability and price of applications and services may change.

Auto-Director AI Camera



- AI Tracking
- Intelligent Composition
- Power Gesture

[Buy Now](#)