



USB/Keyboard Mouse Extender Series

User Manual

Model : UE03H

USB 3.2 Gen1 CAT6a Extender 100m



Introduction

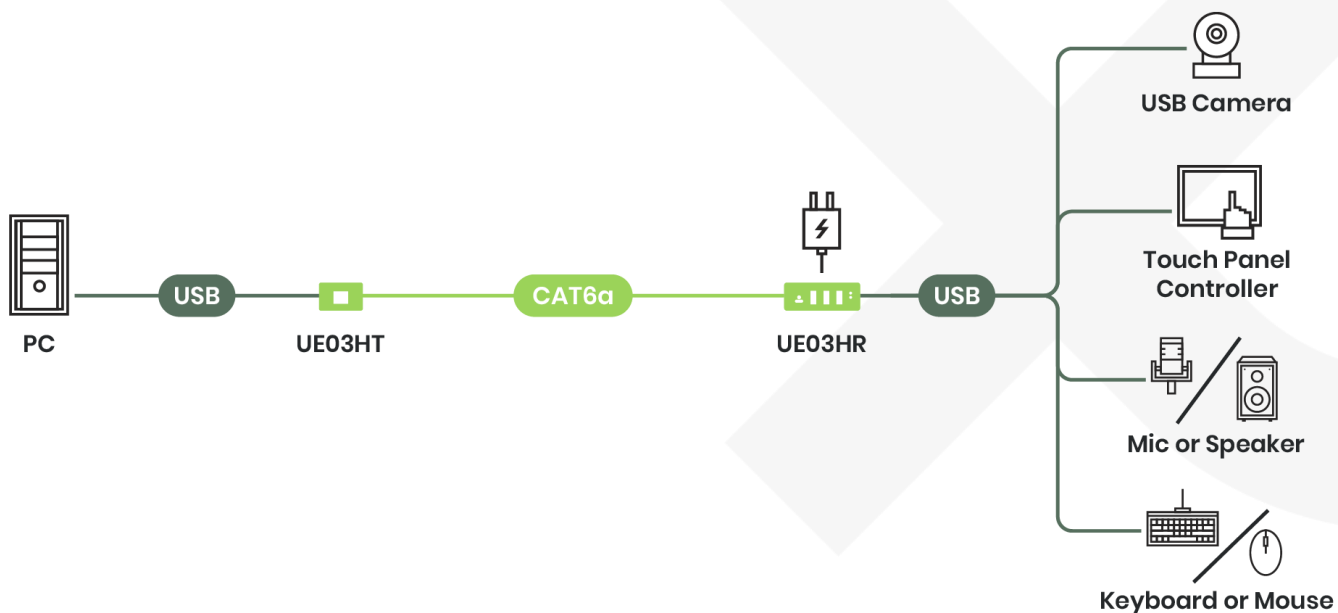
UE03H is a USB 3.2 Gen1 extender designed to carry USB signals using CAT6a/7 Ethernet cable. It is totally backward compatible with USB 2.0 & USB 1.x devices. It is perfect for multiple applications including devices such as USB cameras, touch panels, and any other USB devices.

Features

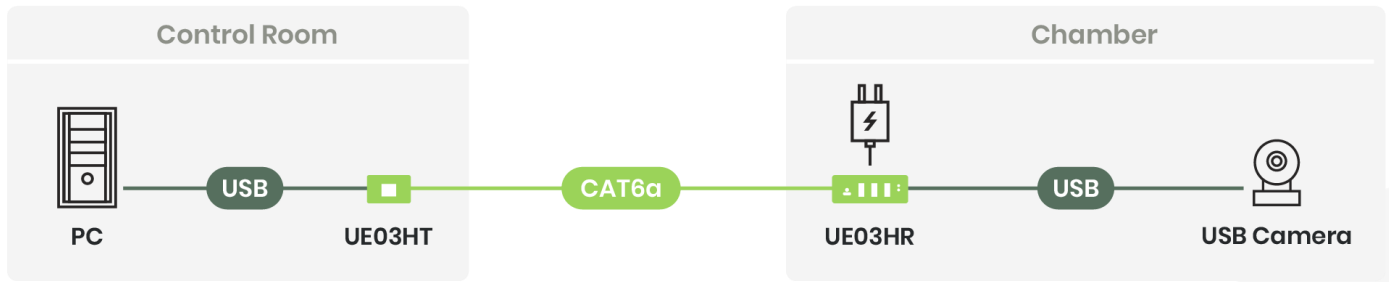
- USB 3.2 Gen1 up to 5Gbps
- Transmission distance up to 100m with CAT6a cable
- No power needed at device side (UE03HR)
- Max power supply 5V/1.5A at Device side (UE03HR), does not support QC(Quick Charge), PD(Power Delivery)
- RS232 optional extension
- Compatible with USB 2.0 and USB 1.x devices
- USB Type-C port on both sides
- Plug & Play
- Small & compact, easy to install
- Low power consumption
- Multiple mounting options (Wall/Rack & Din Rail)

Application Diagram

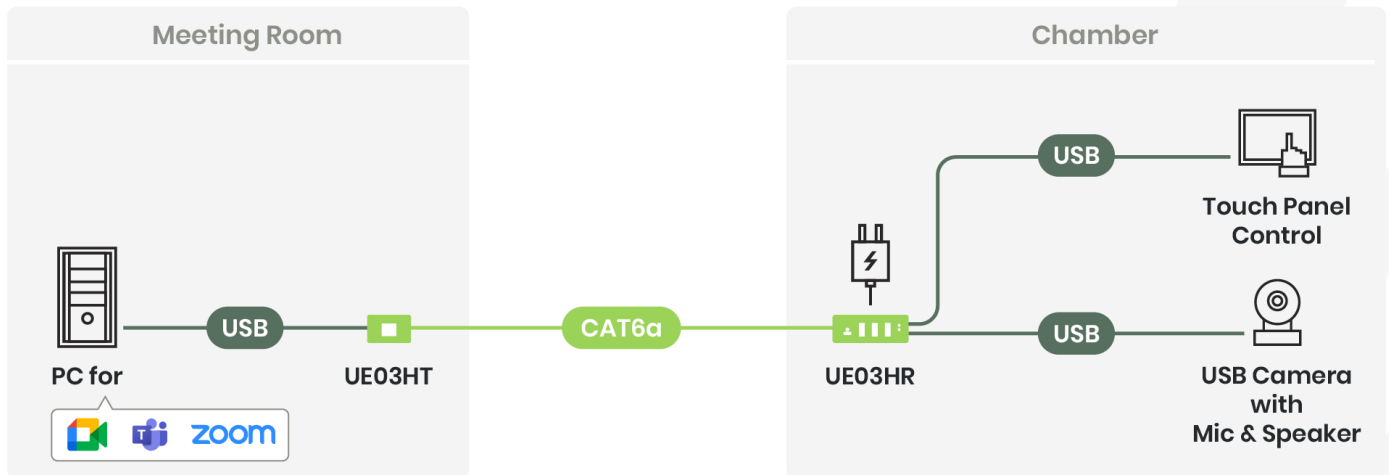
USB Extension for General Purposes



USB Extension for Security/Monitoring



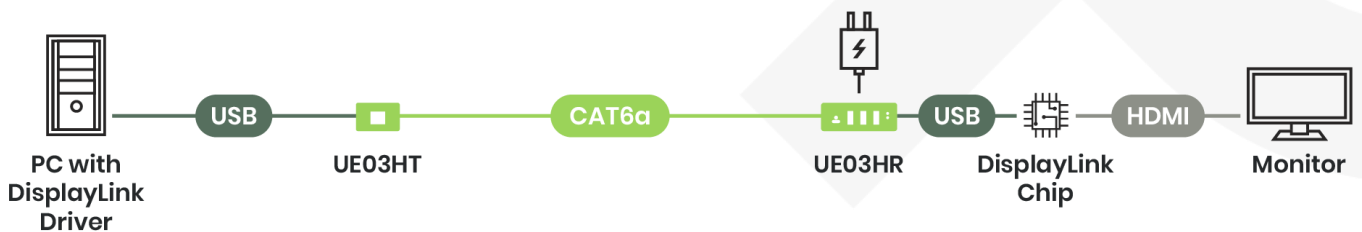
USB Extension for Video Conferencing



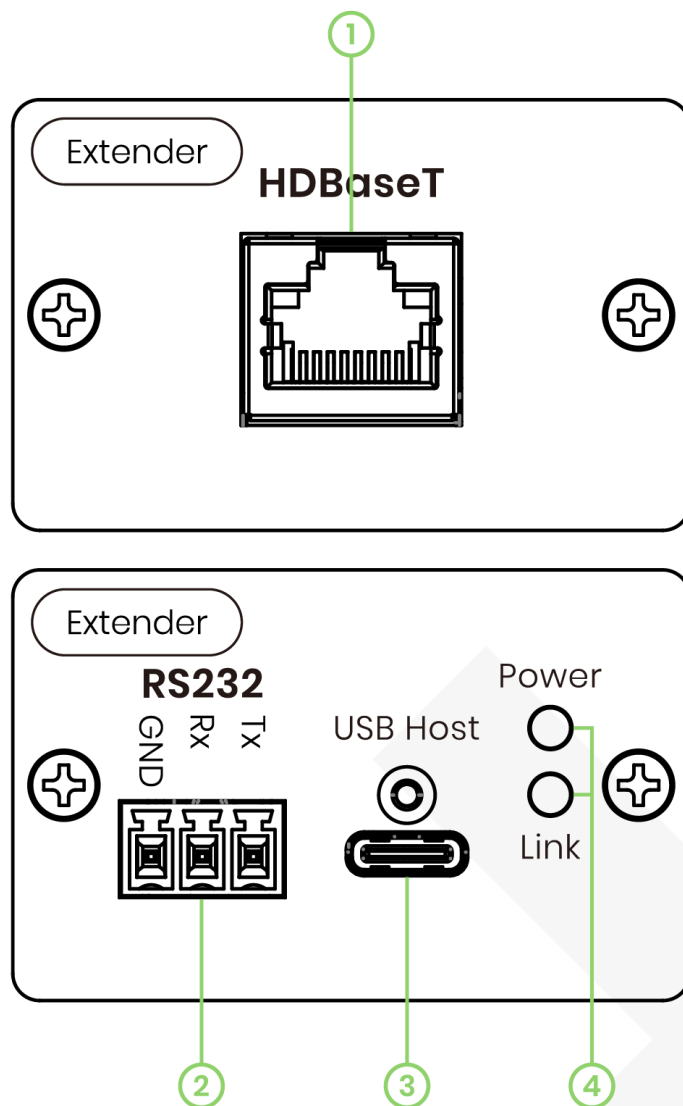
USB Extension for Video Capture



USB Extension using DisplayLink

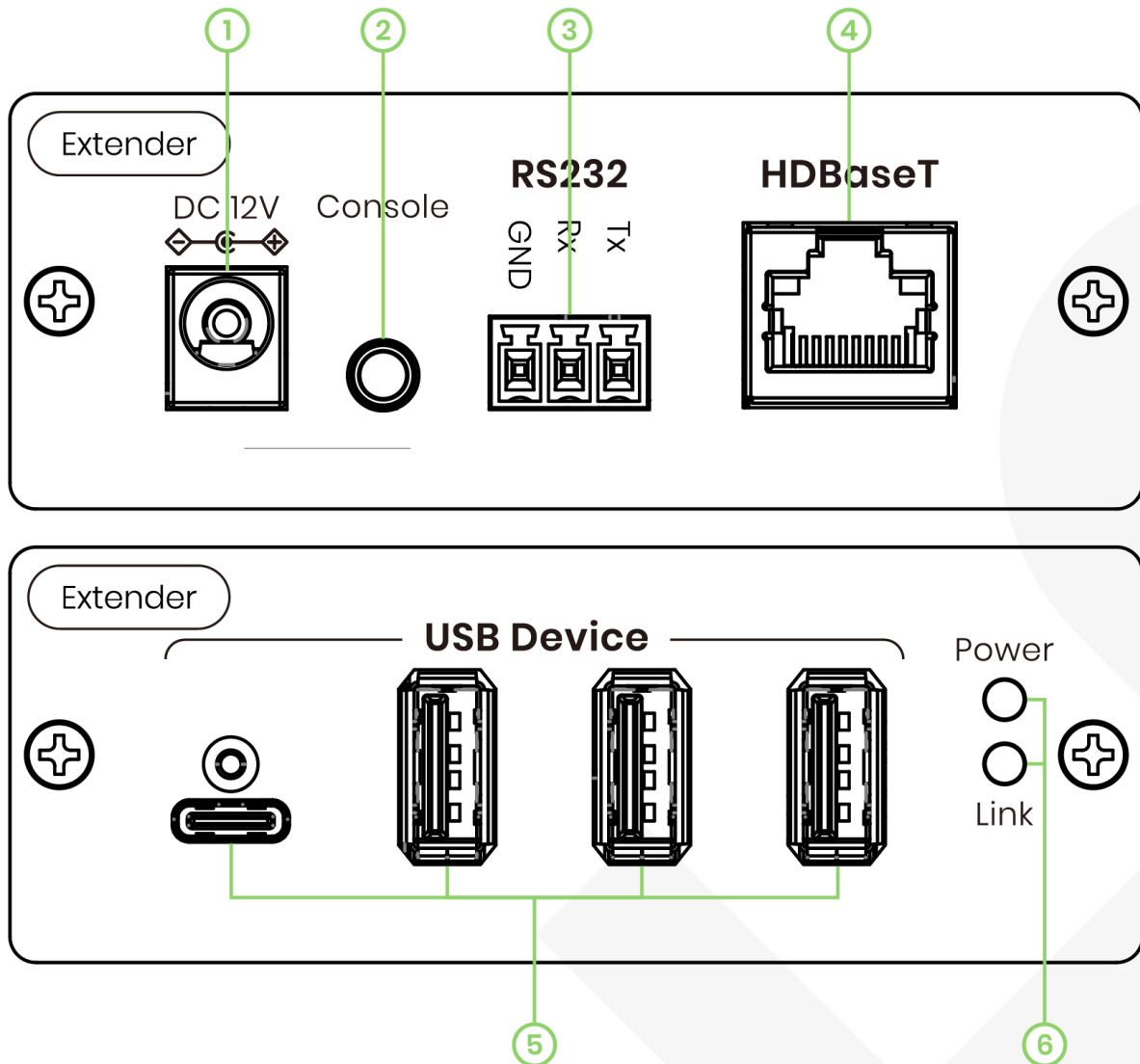


Panel View
UE03HT



	Interface	Description
1	HDBaseT	To connect to UE03HR
2	RS232	To connect to RS232-command-controllable device (needs Terminal Block to RS232)
3	USB Type-C	To connect to USB 3.2 Gen1 source
4	Power/Link LED	Refer to LED Indicator

UE03HR



	Interface	Description
1	DC Jack	To plug in DC 12V power adapter
2	Console	To update FW (needs 3.5mm jack cable to UART)
3	RS232	To connect to RS232-command-controllable device (needs Terminal Block to RS232)
4	HDBaseT	To connect to UE03HT
5	USB Type-C/Type-A	To connect to USB device, compatible with USB 3.2 Gen1 / 2.0 / 1.1 / 1.0
6	Power/Link LED	Refer to LED Indicator

LED Indication

Interface	LED Color	Status
Power (Green)	On	Power On
	Off	Power Off
Link (Blue)	On	RJ45 Linked
	Off	RJ45 Unlinked

RS232 Pin Define

RS232

GND RX TX



Transmission Distance

See Caution, point 6

Cable Type	Transmission Distance
CAT6a 83G02HD105	100m

USB Read & Write Speed

Testing Condition	Using CAT6a cables and CrystalDiskMark software, testing the read and write speed of USB flash drives. PC : i5-12400 RTX3060Ti									
	ESD310C USB 3.2/Type C 256GB		SanDisk SDDDC3 (Type A) (USB 3.0)		SanDisk SDDDC3 (Type C) (USB 3.0)		SanDisk Ultra Flair USB 3.0 64GB (Type A) (USB 3.0)		KINGSTON (Type A) (USB 3.0)	
	Read	Write	Read	Write	Read	Write	Read	Write	Read	Write
100m 83G02HD105	439.58 MB/s	437.74 MB/s	152.18 MB/s	65.84 MB/s	155.16 MB/s	65.49 MB/s	162.16 MB/s	52.43 MB/s	136.56 MB/s	11.31 MB/s

Caution

1. This product is designed for indoor applications. If it is desired for outdoor use, please install additional equipment for waterproof protection and surge protectors to prevent damages caused by lightning.
2. Do not put anything on the power and system cables, place them where they cannot be stepped on. Please be sure there is nothing resting on any cables.
3. Avoid using this product close to water places, or near high temperature devices such as radiators, stoves, etc.
4. Shut down the power supply and unplugged all equipment immediately if:
 - A. water or any kind of liquid has been spilled into the product;
 - B. the product has been damaged by external force;
 - C. the product does not operate normally as this manual indicates;
 - D. Please contact us for further repair if above conditions happen.
5. We strongly recommend using high quality CAT6a, CAT7 UTP/STP/FTP cable. Improper installation may cause unstable connection.
6. The transmission distance may differ by cable or construction quality. Using CAT6a, CAT7 cable between transmitter and receiver, the transmission distance can reach up to 100 meters.
7. This extender does not support video & audio transmission (DP alternate mode).
8. RS232 does not support hardware handshake.
9. The USB-Type C port on the device side does not support power delivery mode.

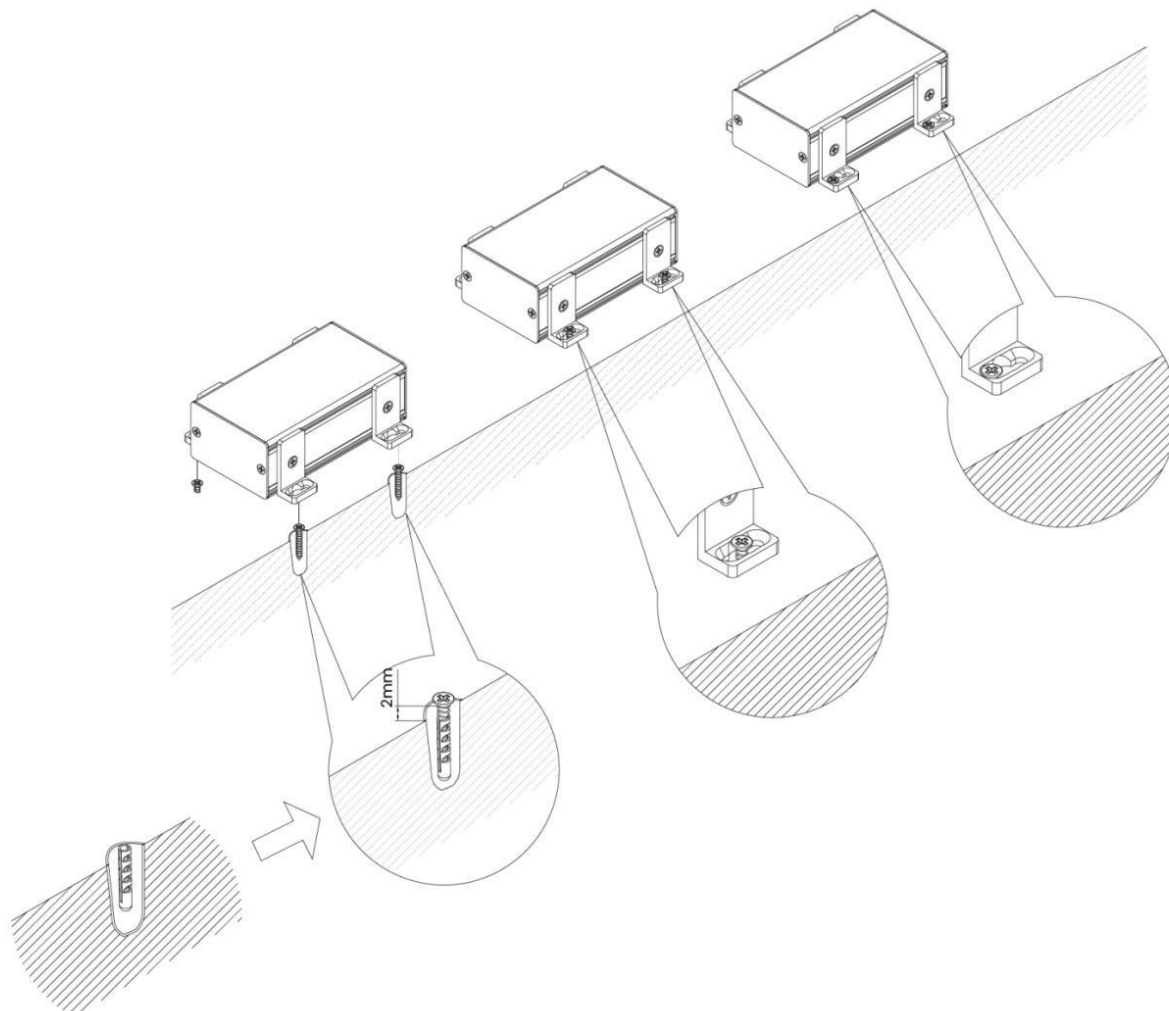
Technical Specification

UE03H	UE03HT	UE03HR
Compliance		
Standard	USB 3.2 Gen1 USB 2.0 USB 1.1 USB 1.0	
Max. Transmission Distance	100m over CAT6a/7	
Data Rate	USB 3.2 Gen1 up to 5Gbps bidirectional	
Ports & Interfaces		
USB Data	1 x USB Type-C	3 x USB Type-A 1 x USB Type-C
Transmission Medium	1 x RJ45	1 x RJ45
RS232	1 x 3-Pin Terminal Block	1 x 3-Pin Terminal Block
Console		1 x 3.5mm Phone Jack
Power		
Power Supply	USB 5V	12V 1.5A
Power Consumption	2W	2.76W (No include USB device)
Power Saving	1.6W	1.8W
Ambient Temperature		
Operation	0 to 55°C	
Storage	-40 to 80°C	
Operating Altitude	2000m	
Humidity	Up to 95%	
Physical Characteristics		
Dimension	50 x 93 x 32mm	87 x 123 x 32mm
Weight	128g	259g

Installation

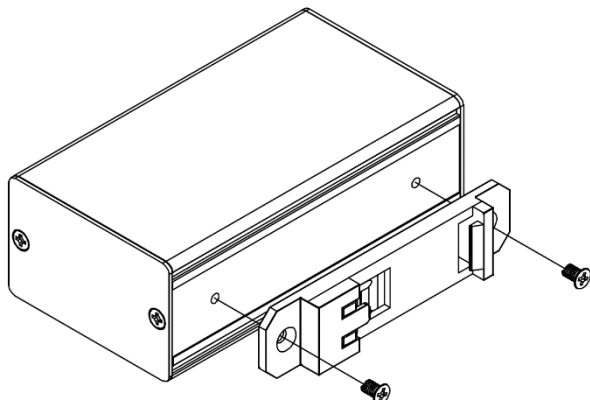
Installed on Wall

Step 1 Same way as "Installed on a Platform", but need to put screw plugs into the pilot hole before inserting the screws (leave 2mm space from the platform)

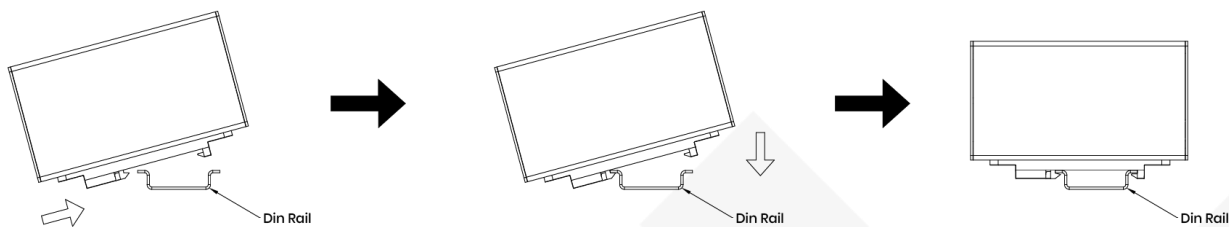


Installed on a DIN-rail

Step 1 Use machine screws to fix a DIN-rail mounting plat on the side of your product

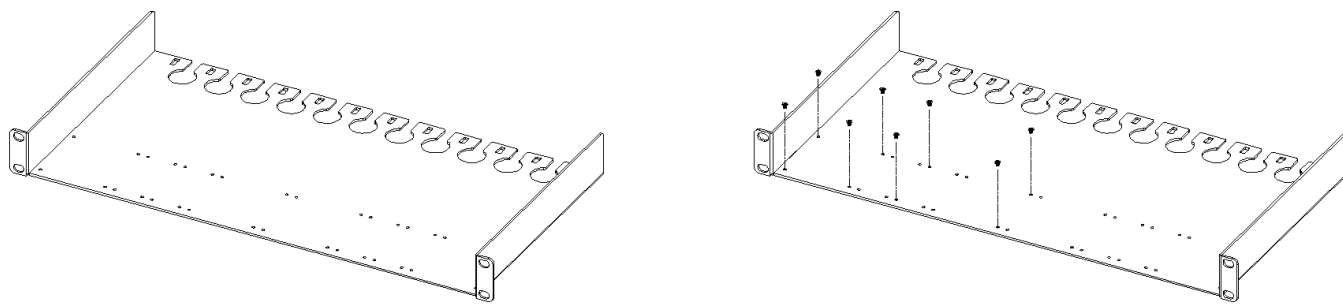


Step 2 Install your product on a DIN-rail as following instruction

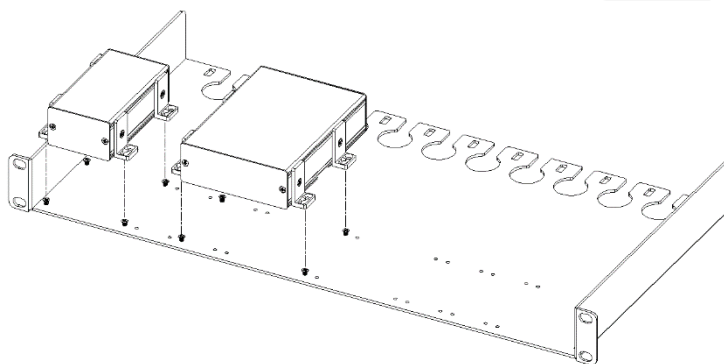


Installed on a Rack

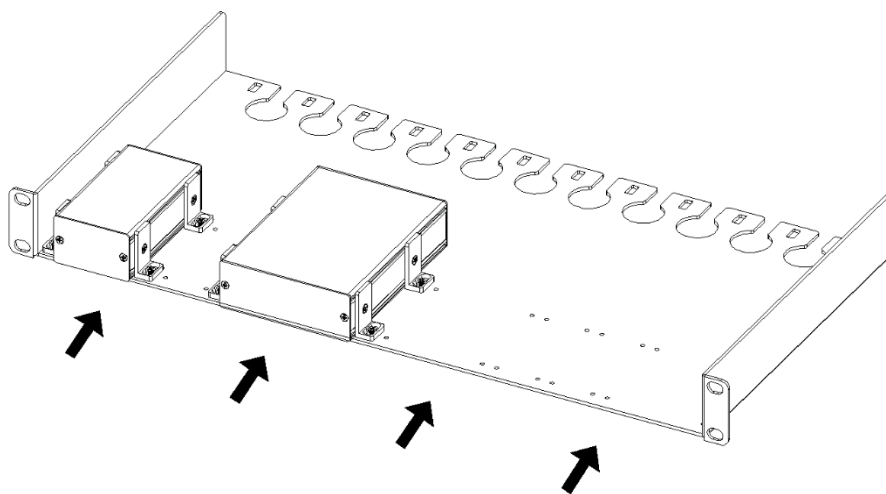
Step 1 Lock machine screws in the rack



Step 2 Put your products on the rack



Step 3 Push the products to the other side of the rack



Step 4 Install the rack in a cabinet

